

UP TO 24" DIAMETER BITS

2 SPEED

BLACK & DECKER OR MILWAUKEE

15-20 AMP

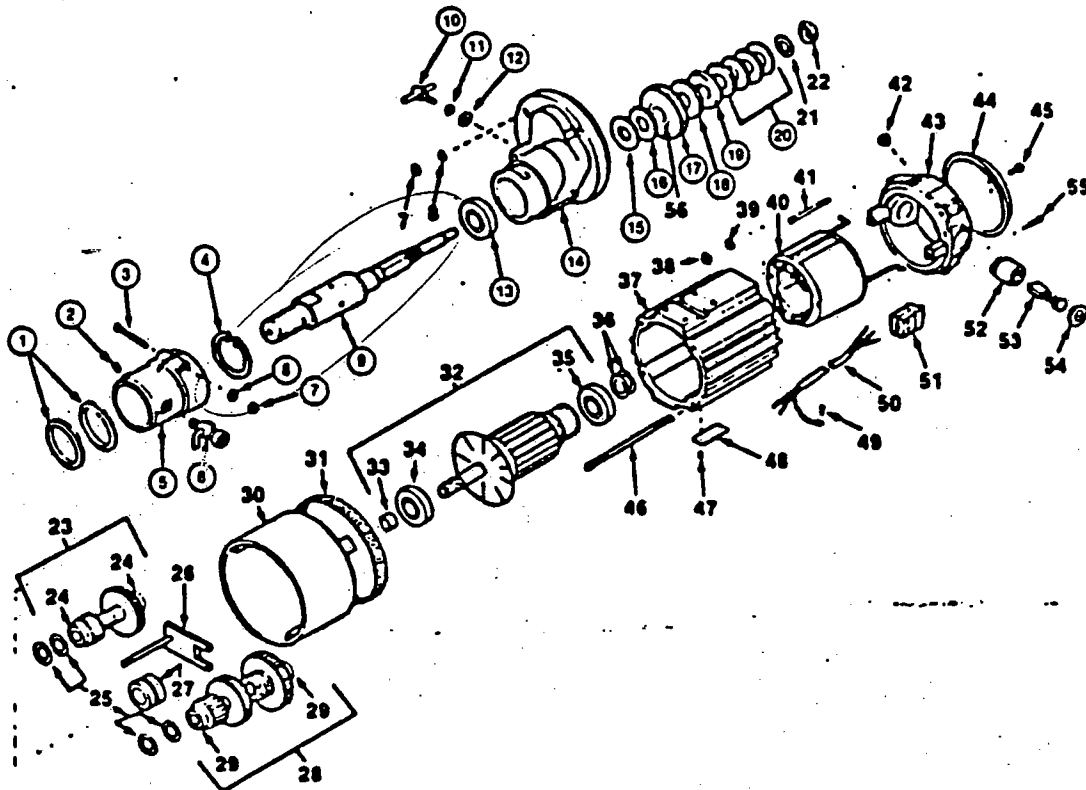
GASKETS FROM DC500 WORK

UPPER 407011

BASE 407007

D-400 DRILL RIG Heavy Duty Diamond Drill Machine 10" Capacity (24" Optional)

# 20 AMP DRILL MOTOR PARTS LIST

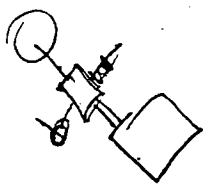


## Motor

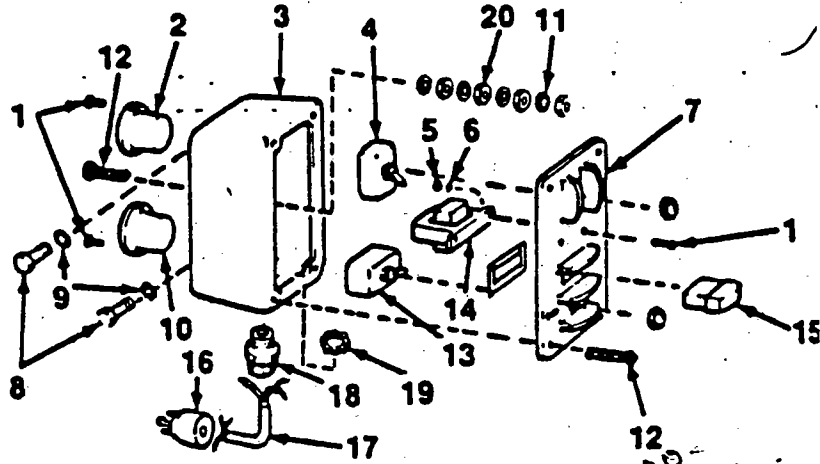
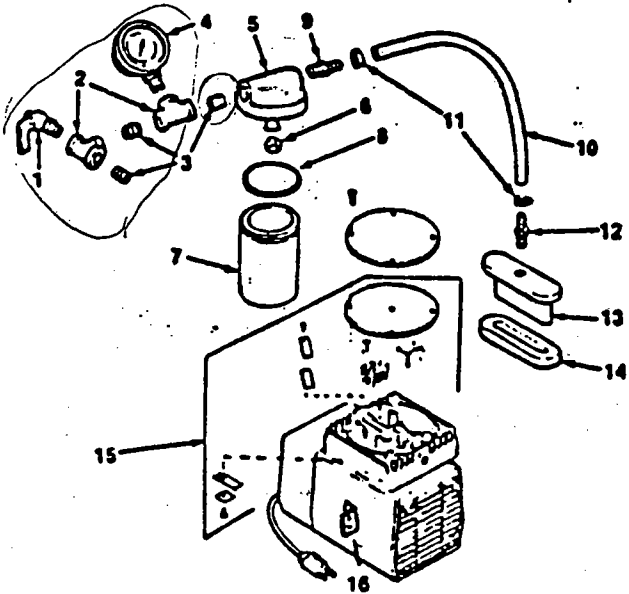
Diagram Number	Part Number	List Price Each	Qty. Req.	Description	Diagram Number	Part Number	List Price Each	Qty. Req.	Description
1	99215		1	Set of Seals [2]	29	45060		2	Ball Bearing
2	10001		1	1/4" Pipe Plug	30	99250		1	Gear Housing
3	59915		1	1/4 - 20 x 2 1/4 Soc Hd Screw	31	99300		1	Fan Guard
4	99345		1	Snap Ring	32	99235		1	Armature Assembly
5	99210		1	Waterjacket	33	99245		1	Slinger
6	99395	402043	1	Water Petcock w/Hose Ftg. <del>Water Inlet</del>	34	44565		1	Ball Bearing
7	60410		5	1/4 - 28 Hex Nut	35	99240		1	Ball Bearing
8	34270		1	1/4" Internal Tooth Lockwasher [5]	36	99270		1	Set of Belleville Washers [2]
9	99340		1	Output Shaft	37	99255		1	Field Housing
10	99220		1	Shift Knob	38	79995		2	#10 - 32 Hex Nut
11	99265		1	Belleville Washer	39	99290		2	Lock Washer
12	99280		1	Washer	40	99310		1	Field, 115V
13	45315		1	Bearing	41	99405		2	End Bell Stud
14	99335		1	End Plate	42	99305		1	Strain Relief
15	99355		1	Clutch Plate	43	99200		1	Commutator End Bell
16	99360		1	Clutch Plate, Bronze	44	99410		1	Commutator End Cover
17	99370		1	Gear	45	99415		2	End Cover Screw
18	99375		1	Clutch Plate, Bronze	46	99400		4	Field Housing Stud
19	99380		1	Clutch Plate	47	46870		1	Drive Screw [5]
20	99385		1	Set of Belleville Washers [4]	48	99175		1	Name Plate
21	99390		1	Washer	49	34715		1	#10 - 32 x 3/4" Screw [5]
22	99350		1	Stop Nut	50	99315		1	Line Cord
23	99260		1	Gear Shaft Assembly	51	99320		1	Plug
24	45060		2	Ball Bearing	52	99205		2	Brush Holder
25	99275		1	Set of Belleville Washers [4]	53	99330		1	Set of Brushes [2]
26	99225		1	Shift Arm Assembly	54	99325		1	Set of Brush Caps [2]
27	99285		1	Needle Bearing	55	99295		4	#10 - 32 x 3/4" Soc Hd Screw
28	99230		1	Gear Shaft Assembly	56	99365		1	Bushing

See attached for new part #15 [2] = Quantity supplied per package when specified part number is ordered

# DRILLING STANDS ACCESSORIES PARTS LIST



*414 418 5220*



*20 DR # 42430000*

*20 DR #*  
**Vacuum Pump Assembly**

**Control Panel**

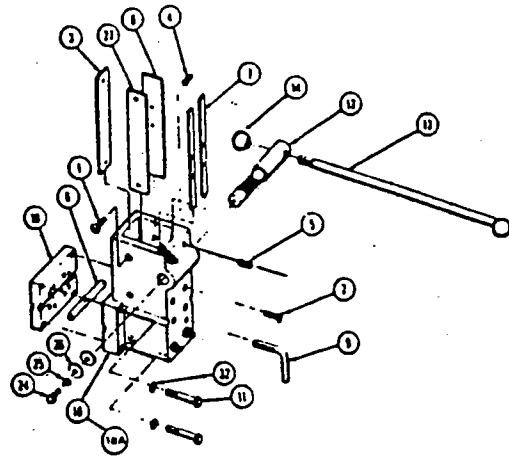
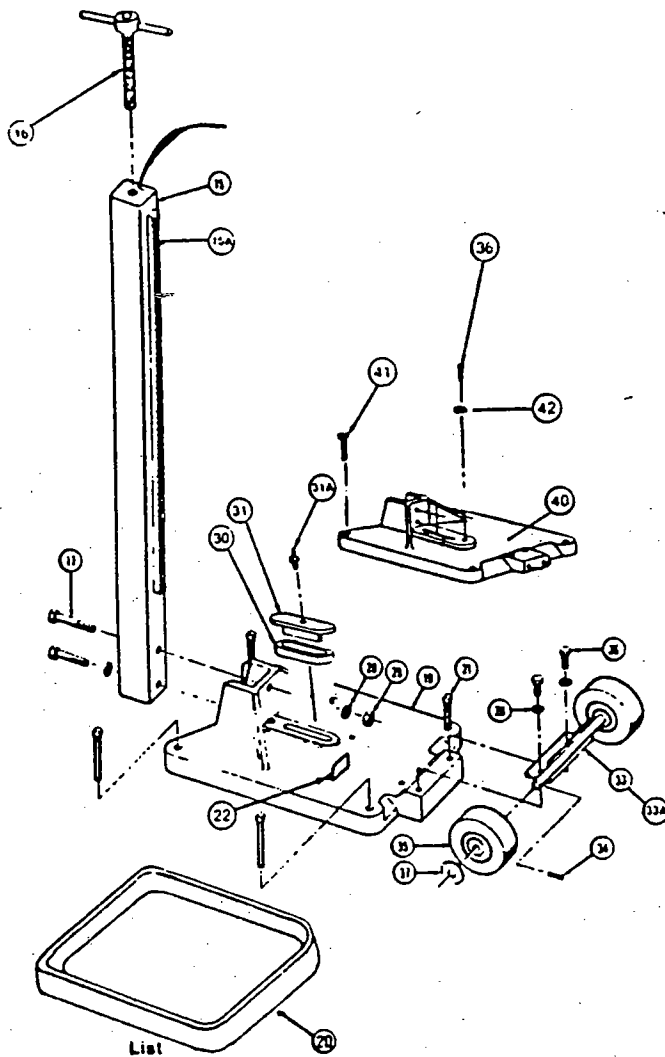
Diagram Number	Part Number	List Price Each	Qty. Req.	Description
1	98865 YD3200035		1	Air Petcock
2	10002 YD3200010		2	1/4" Pipe Tee
3	10003 8404001		3	1/4" Close Nipple
4	98870 YD27000164		1	Vacuum Gauge
5	98875 YD2700014		1	Water Trap Top
6	98890 YD27001121		1	Float Ball
7	98860 YD27001701		1	Water Trap Jar
8	98885 YD27000171		1	Water Jar Gasket
9	98910 96000005		1	1/4" Barb to 1/4" Male
10	98895 YD4699430		1	Hose, 9 x 1/4"
11	10004 YD100004		2	1/2" Hose Clamp
12	98915 YD3200018		1	1/4" Barb to 1/4" Male
13	98900 YD4645031		1	Slot Cap
14	98905 YB418		1	Slot Cap Gasket
15	98860 YD27000167		1	Vacuum Pump Service Kit
16	90000		2	Brackets

*DC+DR*

Diagram Number	Part Number	List Price Each	Qty. Req.	Description
1	99430		6	6-32 x 1/2 RH Screw
2	99435		1	Receptacle, 20 Amp, 125V
3	99440		1	Control Box
4	99445		1	Toggle Switch, 15A, 125V
5	99450		2	6-32 Hex Nut
6	99455		2	#8 Lockwasher
7	99480		1	Cover Plate
8	99465		2	1/4 - 20 x 1 1/4 Hex Screw
9	44740		2	1/4 Lockwasher
10	99470		1	Receptacle, 15 Amp, 125V
11	48985		5	#10 Lock Washer
12	92455		5	10-24 x 3/8 RH Screw
13	99480 YD2800017		1	Toggle Switch, 20A, 125V
14	99485		1	Transformer
15	99490 YD2800020		1	Ammeter
16	99495		1	Plug, 30 Amp
17	99500		1	Line Cord
18	99505		1	Cord Connector
19	99510		1	Lock Nut
20	44695		5	10-24 Hex Nut

*See attached for new part #'s*

# PARTS LIST



## DRILLING RIGS

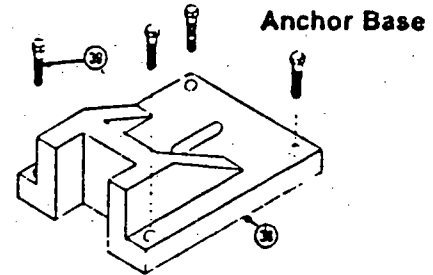


Diagram Number	Part No.	List Price Each	Qty. Req.	Description
1	5001 YD2900014	6	1/4"-20 x 3/4"	Brass Flat Hd. Screw
2	5002 YD2900015	4	1/4"-20 x 1"	Brass Flat Hd. Screw
3	5003 YD4645003	1	1/2" x 1 1/2" x 9"	Non Adjustable Shims
4	5004 YD2900016	2	1/4"-20 x 1/2"	Socket Hd. Set Screws, Cup
5	5005 YD2900017	4	1/4"-20 x 7/8"	Socket Hd. Set Screws, Cup
6	5006	1	3/4" sq. x 4"	Key Way
7	5007 YD4645004	2	1/8" x 5/8" x 9"	Adjusting Shim
8	5008 YD4645005	1	1/8" x 1 1/2" x 9"	Adjusting Shim
9	5009	1	1/2"-13	Lock Screw
10	5010	1		Motor Adaptor Mount Plate
11	5011	4	3/8"-16 x 2 1/4"	Hex Hd. Cap Screw
12	5012	1 ea.		Pinion Gear (Includes 24, 25, 26)
13	5013 YD4645013	1	Handle - 5/8" x 18"	Thread End
14	5014	2		Handle Knobs
15	5015	1	2 1/2" sq. x 42"	Mast with Gear Rack
15A	5015A	1	32"	long Gear Rack Only
16	5016 4670001	1		Ceiling Jack
17	5017	2	1/2"-13 x 3 1/2"	Hex Hd. Cap Screw
18	5018	1		Drilled Aluminum Head Carriage Only
18A	5018A	1		Complete Head Carriage w/All Parts
19	5019	1		Drilled Aluminum Combination Base w/Leveling Screws
	5042	4	1/4"-20 x 1"	S.C.S. for Milwaukee
	5043	4	1/4"-28 x 1"	S.C.S. for B.D.

Diagram Number	Part No.	List Price Each	Qty. Req.	Description
20	5020 YL415	1		Lgr. Rubber Vacuum Seal for Combo-Base
21	5021 YD2900018	4	5/8"-11 x 3"	sq. Hd. Set Screw
22	5022A	2		Vacuum Pump Fastener Brackets
24	5024	1	1/4"-20 x 1/2"	Hex Hd. Cap Screw
25	5025	1	1/4"-20	Hex Nut
26	5026	2	1/4" I.D. x 1 1/4" O.D.	Fender Washer
27	5027 YD4645007	1	1/8" x 1 1/2" x 9"	Non Adjustable Shims
28	5028	4	1/2"	Lock Washer
29	5029	1	1/2"-13	Hex Nut
30	5030 YL5418	1		Seal for Anchor Slot Cap
31	5031 YD4645001	1		Anchor Slot Cap
31A	5031A	1	1/8" Pipe to 1/4" Hose Barb	
32	5032	4	3/8"	Lock Washer
33	5033	1		Small Wheel Mount Assembly
33A	5033A	1		Complete Wheel Assembly
34	5034	2		Cotter Pin
35	5035	2	6"	Wheels
36	5036	3	1/2"-13 x 1"	Hex Bolt
37	5037	4	3/8"	Flat Washer
38	5038	1		Drilled Aluminum Anchor Base w/Leveling Screws
39	5039	4	1/2"-13 x 4"	Leveling Bolts
40	5022	1		Vacuum Platform
41	5040	4	10-32 x 3/4"	S.C.S.
42	5041	1	1/2"	Fl Washer

see attached for new part #'s

## Miller, Margurite A.

**From:** Carruth, Connie B.  
**Sent:** Wednesday, April 24, 2002 11:39 AM  
**To:** Miller, Margurite A.  
**Subject:** FW: Update to the old D400 replacement parts list

### Connie B. Carruth

personal service representative  
SAINT-GOBAIN ABRASIVES  
PH.800-554-8003 EXT 218  
FAX.800-443-1092

-----Original Message-----

**From:** Edwards, Paul S.  
**Sent:** Tuesday, November 28, 2000 10:01 AM  
**To:** Alice Kimbrough; Alissia Winters; Bruce Knotts; Candy Gaines; Carolyn Martin; Cindy Durnad; Cindy Hammond; Connie Carruth; Connie Woodall; Gabriel Uriegas; Linda Runnels; Samuel Barnette; Trudy Hulsey; Vanessa Gresham; William McClung  
**Subject:** Update to the old D400 replacement parts list

Lately there has been a lot of questions about what parts replace the now obsolete D400 series core drills. The attached list is an update to an email that was sent out October of 1999 that covered what DM-DC450/500 series drill 407xxx part numbers that will replace the old D400 series YDxxxxxxx part numbers. Please note that you can use the new DM-DC450/500 series drills owner's manuals (located in PDF file format at: FOR CLIPPER: *P:\Function\Owners Manuals\Clipper\7125 (DM450-500 Core Drill).pdf* and FOR PRO-CUT: *P:\Function\Owners Manuals\Pro-Cut\7125P (Pro-Cut DC500 Core Drill).pdf*

NOTE: That this list is for the replacement of the obsolete D400 series core drills and not the DC15/18/20 series core drills, and all part may not be up at this time.

Part #	Old Pro-Cut "YD" #	Description	List	CAD List
407001	YD4645015	Column 2-1/2" SQ x 42" (Includes 2 & 3, see manual)	274.71	410.01
407002	YD2400053	Gear Rack Only 32"	114.35	170.67
407003	YD4645073	Col. Top With Pins	38.17	56.97
407004	YD4645016	Ceiling Jack	68.92	102.87
407005	YD4245070	Comb. Base Assy. YDC500 (Includes 6-26, see manual)	646.46	964.87
407007	YD4645020	Vacuum Gasket	17.64	26.33
8041145	YD2900081	Scr 5/8-11 x3 Hex Head Cap	3.51	5.24
407008	YD4645022	Vacuum Mount	13.66	20.39
8058134	YD2900087	Scr #10-32 x 5/8" Cap	0.75	1.12
8172005	YD2900016	Washer #10 USS Flat	0.57	0.85
8041094	YD2900086	Scr 1/2-13 x1" Hex Head Cap	0.80	1.20
8172011	YD2900127	Washer 1/2 USS	0.57	0.85
407010	YD4645031	Slot Cap Only	38.59	57.60
407011	YD2400003	Slot Cap Gasket	4.09	6.11
8041104	YD2900080	Scr 1/2-13 x 3-1/2" Hex Head Cap	2.08	3.10
8177014	YD2900084	Washer 1/2 Lock	0.57	0.85
8143005	YD2900129	Nut 1/2-13 Jam	0.63	0.94
407013	YD4645046	Wheel Assembly (Includes 23-26)	89.53	133.62
<del>407014</del>	YD2900085	Cotter Pin 3/32" x 1"	0.57	0.85
8172013	YD2900128	Washer 5/8" Flat	0.57	0.85
407015	YD2400004	Wheel 6"	10.33	15.42
407016	YD4645033	Wheel Mount Bracket	55.25	82.46
<del>8041106</del>	YD2900097	Scr 1-8 x 4-3/4" Hex Head Cap	14.57	21.75
<del>407017</del>	YD2900098	Nut 1-8 Jam	3.13	4.67
407018	YD4246060	Anchor Base (Small) Assy DM450 (see manual) Painted Orange	389.32	581.08

<del>407019</del>	YD4645038	Anchor Base Only (Painted Orange)	380.78	568.32
<del>407020</del>	YD2900027	Scr 1/2-13 x 4" Hex Head Cap	3.62	5.41
407021P	YD4645044	Carriage Assy (Includes 42-66, see manual)	526.10	785.23
407022P	YD4645018	Carriage Only YDC500	269.98	402.95
107023	YD4645009	Pinion Gear Assy (includes 44-47, see manual)	75.77	113.09
407024	YD4645012	Pinion Gear Only	75.00	111.94
8041002	YD2900082	Scr 1/4-20 x 1/2" Hex Head Cap	0.57	0.85
8177010	YD2900024	Washer 1/4" Lock	0.57	0.85
<del>407025</del>	YD2900083	Washer 1/4" ID x 1-1/4 OD Fender	0.57	0.85
407026	YD4645013	Handle	25.43	37.95
407027	YD2400001	Handle Knob	8.41	12.56
407028	YD4645011	Shim Assy (Includes 51-56, see manual)	112.53	167.96
407029	YD4645007	Adj Shim Brass 1/8 x 5/8 x 8-7/8	14.17	21.16
407030	YD4645008	Adj Shim Brass 1/8 x 1-1/2 x 9	24.32	36.30
407031	YD4645003	Non-Adj Shim 1/8 x 1-1/2 x 9	24.32	36.30
407032	YD4645027	Non-Adj Shim 1/8 x 1-1/2 x 9	24.32	36.30
407033	YD2900074	Scr 1/4-20 x 5/8" Flat Head Brass	1.07	1.59
407034	YD2900075	Scr 1/4-20 x 1" Flat Head Brass	1.07	1.59
407035	YD2900076	Scr 1/4-20 x 1/2" Set	0.57	0.85
407036	YD2900101	Scr 1/4-20 x 3/8" Set	0.57	0.85
407037	YD2900078	Carriage Lock 1/2-13	4.35	6.49
407038	YD4645023	Motor Mount Assy (Includes 61-66)	75.35	112.47
<del>407039</del>	YD4645010	Motor Mount Plate	59.29	88.49
<del>407040</del>	YD2900079	Scr 3/8-16 x 2-1/4	0.84	1.25
8177012	YD2900006	Washer 3/8" Lock	0.57	0.85
<del>407041</del>	YD4645006	Key 3/8"SQ x 4"	4.83	7.20
<del>407042</del>	YD2900089	Scr 1/4-28 x 1 Dewalt	0.57	0.85
407043	YD2900088	Scr 1/4-20 x 1 Milw.	0.57	0.85
407012	YD4400072	Spacer Block With Hardware	127.82	190.77
407000	YD4244075	Vacuum Pump Assy 110-volt (Includes 1-18, see manual)	292.00	435.82
<del>107044</del>	YD2600017	Vacuum Pump, 110-volt (Includes 2-9, see manual)	311.00	464.18
407045	YD2700168	Muffler	18.56	27.70
403076	YD2700171	Water Trap Jar Assy (Includes 4-9, see manual)	88.94	132.74
407047	YD2700170	Water Trap Jar	13.07	19.50
407048	YD2700172	Float Ball	5.23	7.80
<del>407049</del>	YD2700014	Water Trap Top	40.18	59.96
<del>407050</del>	YD2700017	Water Jar Gasket	2.40	3.59
407051	YD2700015	Brass Funnel Fitting	12.38	18.48
407052	YD2700016	O-Ring	0.72	1.08
407053	YD4699490	Hose Assy 9-1/4" Long (Includes 11-14, see manual)	23.41	34.94
407054	YD3200019	1/4" Hose Barb To 1/4" Male Pipe	3.61	5.38
407055	YD3200017	Hose Clamp 1/2" Pinch On	0.63	0.94
407056	YD4699430	Hose 1/4" ID x 9-1/4" Long	5.04	7.52
<del>407057</del>	YD3200018	Fitting 1/4" Hose Barb To 1/8" Male Pipe	3.26	4.87
<del>407058</del>	YD3200010	Pipe Tee 1/4" NPT	7.33	10.93
407059	YD2700164	Vacuum Gauge	27.05	40.37
<del>407060</del>	YD3200007	Close Nipple 1/4" NPT	2.40	3.59
407061	YD3200035	Air Petcock	4.46	6.66
407062	YD4277537	Electrical Box Assembly 110-volt (Includes 1-19, see manual)	239.20	357.01
407063	YD4699600	Switch Box Cover	43.62	65.11
407064	YD4699601	Switch Base	55.04	82.14
407065	YD4699603	Stud 1/2"-13 x 2"	4.03	6.01
<del>407066</del>	YD2900129	Jam Nut 1/2-13	0.63	0.94
407067	YD2800049	Receptacle 110-volt	26.82	40.03
407068	YD2400074	Spacer Gasket	9.56	14.26
407069	YD2800020	Amp Meter 110-volt	59.11	88.22
107070	YD2800017	Toggle Switch 20-Amp	37.79	56.41
<del>407071</del>	YD2400075	On-Off Plate	0.99	1.48
<del>407072</del>	YD2800050	Sealing Lock Nut 3/4"	6.96	10.39
<del>407073</del>	YD2800043	Cord Connector 3/4" <i>USE 701840683337</i>	28.84	43.05
407074	YD4699602	Line Cord 110-volt	7.96	11.87
<del>407075</del>	YD2900165	Scr #10-24 x 7/8" Machine Round Head	0.57	0.85
407076	YD2800023	Plug 30 Amp	49.52	73.92

<del>407078</del>	YD2900090	Scr #6-32 x 1/2" Machine Round Head	0.57	0.85
<del>407079</del>	YD2900092	Washer #6 Lock	0.57	0.85
<del>407080</del>	YD2900091	Nut #6-32 Hex	0.57	0.85
407081	YD2800085	Transformer 110-volt	43.95	65.60
107082	YD4244075	Vacuum Pump Assy 220-volt	322.00	480.60

DM450  
500  
DC500

D400

Part #	DP #	Description	List	CAD List	Old Pro-Cut #
407027	2400001	Handle Knob	8.41	12.56	YD2400001
407011	2400003	Slot Cap Gasket	4.09	6.11	YD2400003
407015	2400004	Wheel 6"	11.66	17.40	YD2400004
407002	2400053	Gear Rack Only 32"	114.35	170.67	YD2400053
<del>407049</del>	2700014	Water Trap Top	40.18	59.96	YD270014
407059	2700164	Vacuum Gauge	27.05	40.37	YD2700164
407045	2700168	Muffler	18.56	27.70	YD2700168
<del>407050</del>	2700017	Water Jar Gasket	2.40	3.59	YD270017
407047	2700170	Water Trap Jar	13.07	19.50	YD2700170
407048	2700172	Float Ball	5.23	7.80	YD2700172
407070	2800017	Toggle Switch 20-Amp	37.79	56.41	YD2800017
407069	2800020	Amp Meter 110-volt	59.11	88.22	YD2800020
407081	2800085	Transformer 110-volt	43.95	65.60	YD2800085
407033	2900074	Scr 1/4-20 x 5/8" Flat Head Brass	1.07	1.59	YD2900074
407034	2900075	Scr 1/4-20 x 1" Flat Head Brass	1.07	1.59	YD2900075
407035	2900076	Scr 1/4-20 x 1/2" Set	0.57	0.85	YD2900076
407037	2900078	Carriage Lock 1/2-13	4.35	6.49	YD2900078
8041145	2900081	Scr 5/8-11 x3 Hex Head Cap	3.51	5.24	YD2900081
<del>407060</del>	3200007	Close Nipple 1/4" NPT	2.40	3.59	YD3200007
<del>407058</del>	3200010	Pipe Tee 1/4" NPT	7.33	10.93	YD3200010
<del>407057</del>	3200018	Fitting 1/4" Hose Barb To 1/8" Male Pipe	3.26	4.87	YD3200018
407061	3200035	Air Petcock	4.46	6.66	YD3200035
407000	4244075	Vacuum Pump Assy 110-volt (Includes 1-18)	292.00	435.82	YD4244075
→ 403012	4400072	Spacer Block With Hardware	125.91	187.92	YD4400072
407031	4645003	Non-Adj Shim 1/8 x 1-1/2 x 9	24.32	36.30	YD4645003
<del>407041</del>	4645006	Key 3/8" SQ x 4"	4.83	7.20	YD4645006
407029	4645007	Adj Shim Brass 1/8 x 5/8 x 8-7/8	14.17	21.16	YD4645007
407030	4645008	Adj Shim Brass 1/8 x 1-1/2 x 9	24.32	36.30	YD4645008
407023	4645009	Pinion Gear Assy (includes 44-47)	75.77	113.09	YD4645009
407028	4645011	Shim Assy (Includes 51-56)	112.53	167.96	YD4645011
407024	4645012	Pinion Gear Only	74.97	111.90	YD4645012
407026	4645013	Handle	25.43	37.95	YD4645013
407001	4645015	Column 2-1/2" SQ x 42" (Includes 2 & 3)	274.71	410.01	YD4645015
407004	4645016	Ceiling Jack	68.92	102.87	YD4645016
407007	4645020	Vacuum Gasket	17.64	26.33	YD4645020
407008	4645022	Vacuum Mount	13.66	20.39	YD4645022A
407038	4645023	Motor Mount Assy (Includes 61-66)	75.35	112.47	YD4645023
407032	4645027	Non-Adj Shim 1/8 x 1-1/2 x 9	24.32	36.30	YD4645027
407010	4645031	Slot Cap Only	38.59	57.60	YD4645031
<del>407019</del>	4645038	Anchor Base Only DM450	380.78	568.32	YD4645038
407021P	4645044P	Carriage Assy (Includes 42-66)	526.10	785.23	YD4645044
407056	4699430	Hose 1/4" ID x 9-1/4" Long	5.04	7.52	YD4699430

402778

Wrench 1 3/8"

402043

Water inlet kit

400148

Core bit adaptor - use for smaller bits Converts  
1/4" to 5/8" - 11

400148

Core bit adaptor - Converts 5/8" to 1/4"