



# GMAX REDEFINING EARLY ENTRY DIAMOND BLADES

## QUALITY, CONVENIENCE, PERFORMANCE.

Early entry saws are a critical component for a contractor to get on and off the concrete slab but the diamond blade is the key to successful green cutting. The thicker core resists flexing and provides a straighter and faster cut for less spalling. The anchor slot gullet technology increases productivity by reducing vibrations for a smoother cut while keeping the blade cool extending life. The exclusive universal arbor allows the GMAX blade to be used on most early entry/green concrete saws in the market today, reducing blade inventory for contractors with multiple saw types.

### KEY APPLICATION

EARLY ENTRY / GREEN CONCRETE CUTTING

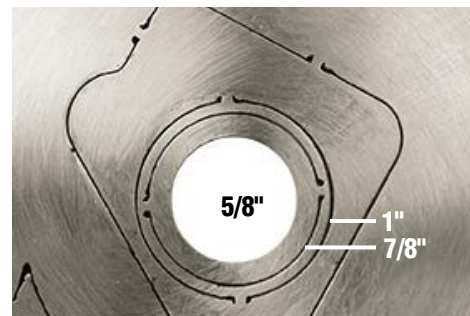
REDEFINING  
**JOBSITE MUSCLE™**



**Anchor Slot Gullet Technology**  
Increases productivity by reducing vibration, for a smoother cut, while keeping the blade cool and extending life.



**Thicker Core**  
Resists flexing and provides a straighter and faster cut for less spalling.



**Unique Triple Knockout Arbor**  
Featuring a triple knockout arbor on 8", 10", and 13.5" blade and 5/8" and 7/8" knockout on the 6" blade to fit most early entry/green concrete saws.

**FEATURES**

- Universal Arbor
- Anchor Slot Gullet
- Unique Segment Specifications
- Various Sizes

**BENEFITS**

- Will fit most saws including Soff-Cut®
- Reduces vibration reducing the possibility of spalling
- Blades designed for specific aggregate hardness and type
- Available in most application sizes for early entry/green concrete cutting

**DRY – FOR GREEN/CURED CONCRETE** 



**GMAX – Multi-Purpose**

Designed specifically for our GC55 down-cut green concrete push saw, the GMAX Multi-Purpose blade is excellent in both green and cured concrete. The unique segment specification and anchor slot gullet allows this blade to be used in a variety of applications with outstanding results.

UPC	PART #	SIZE	MAX RPM	SEGMENT HEIGHT	POWER
701846 <b>83758</b> 3	NXDGRN0895	8 x .095 x 7/8-5/8	8730	.295"	6hp
701846 <b>75125</b> 4	EE9110	9 x .110 x 7/8-5/8	6600	.295"	6hp
701846 <b>84508</b> 3	EE10110	10 x .110 x 1-7/8-5/8	6115	.295"	6hp

Other GMAX blades available for Early Entry concrete cutting

UPC	SIZE	MAX RPM	SEGMENT SPEC	POWER
<b>GMAX – Hard Aggregate Blades</b>				
701846 <b>41868</b> 3	6" x .110 x 1-7/8-5/8	10185	0.350"	4.3hp
701846 <b>41863</b> 8	8" x .110" x 1-7/8-5/8	7640	0.350"	6hp
701846 <b>41860</b> 7	10" x .110 x 1-7/8-5/8	6115	0.350"	13hp
701846 <b>41869</b> 0	13.5" x .125 x 1-7/8-5/8	4365	0.350"	23hp
<b>GMAX – Medium/Hard Aggregate Blades</b>				
701846 <b>41867</b> 6	6" x .110 x 1-7/8-5/8	10185	0.350"	4.3hp
701846 <b>41864</b> 5	8" x .110" x 1-7/8-5/8	7640	0.350"	6hp
701846 <b>41862</b> 1	10" x .110 x 1-7/8-5/8	6115	0.350"	13hp
701846 <b>41870</b> 6	13.5" x .125 x 1-7/8-5/8	4365	0.350"	23hp
<b>GMAX – Medium/Soft Aggregate Blades</b>				
701846 <b>41866</b> 9	6" x .110 x 1-7/8-5/8	10185	0.350"	4.3hp
701846 <b>41865</b> 2	8" x .110" x 1-7/8-5/8	7640	0.350"	6hp
701846 <b>41861</b> 4	10" x .110 x 1-7/8-5/8	6115	0.350"	13hp
701846 <b>41871</b> 3	13.5" x .125 x 1-7/8-5/8	4365	0.350"	23hp

**REDEFINING  
JOBSITE MUSCLE™**

www.facebook.com/NortonAbrasivesNA | www.youtube.com/NortonAbrasives | www.nortonabrasives.com

**USA CUSTOMER SERVICE:**

Toll Free Phone: 1 (800) 554-8003  
Toll Free Fax: 1 (800) 443-1092

**CANADA CUSTOMER SERVICE:**

Toll Free Phone: 1 (800) 263-6565  
Toll Free Fax: 1 (800) 561-9490

**FORM #8232** REV. 08/19

© Saint-Gobain August 2019.

Norton and "Reshaping Your World" are registered trademarks; "Redefining Jobsite Muscle", and GMAX are trademarks of Saint-Gobain Abrasives.

