

OWNER'S MANUAL

MASONRY SAW

MODELS:

BBH - 455

BBH - 255

BBH - 275

CENTURY MOTORS

CONVEYOR CART 83777

CART WHEELS 75333

CART WHEELS

WATER PUMPS

214169 OR 210437

RECEPTACLE 216579

NEW VS OLD 3 PHASE SAWS

REPLACED BY

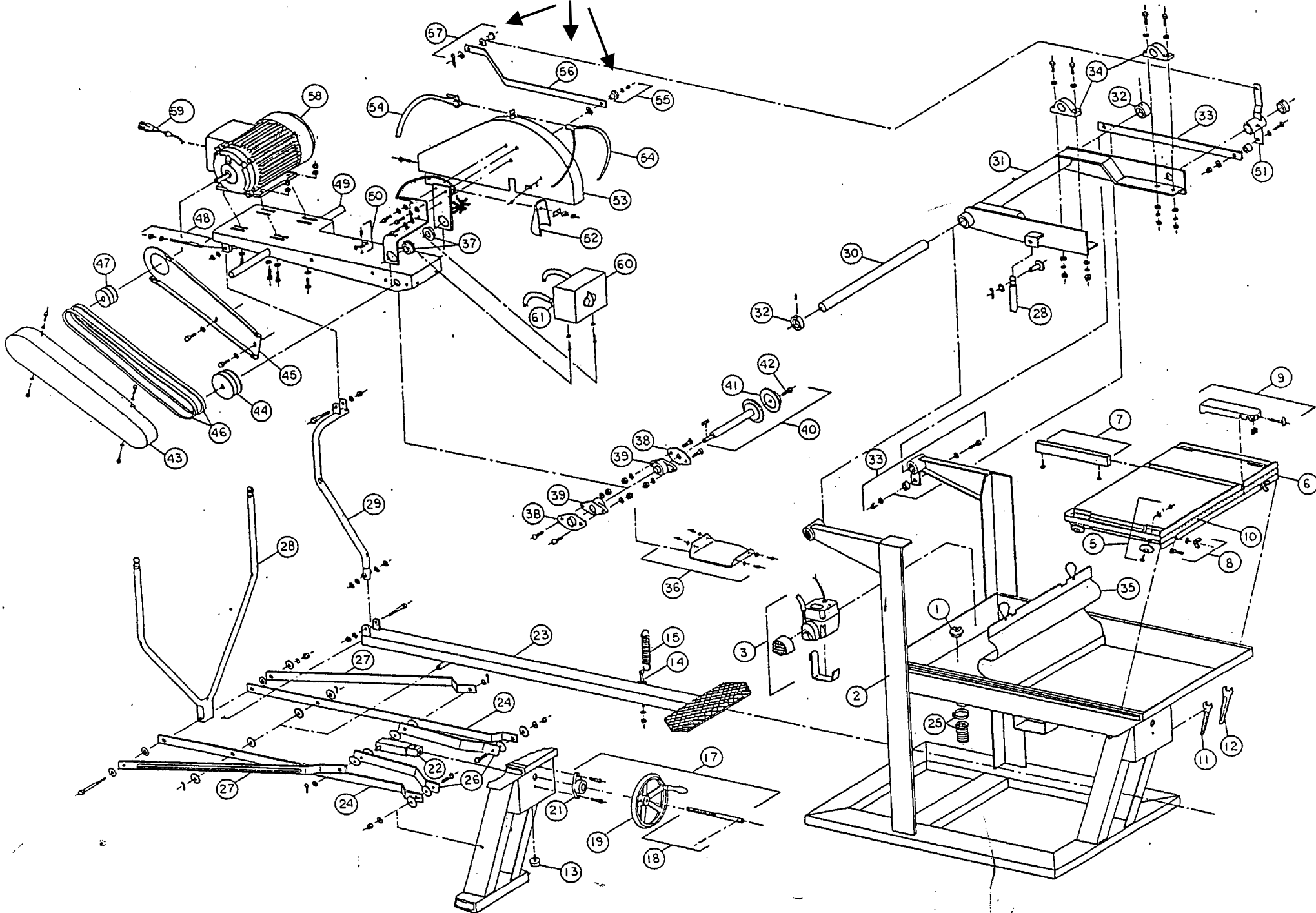
BBH455TY
BBH455UY
BBH255TY
BBH255UY

BBL547 3PHASE
BBL547 3PHASE
BBL527 3PHASE
BBL527 3PHASE

Assembly

(BBH 455 to 275)

1 PIECE CONSTRUCTION #76113 LEVELING SUPPORT



BBH (455 to 275) Service Parts List

Item	Part Description	Part Number
1.	Drain Plug	213622
2.	Frame Weldment	OBS
3.	Water Pump Assembly OR 214169	210437
	Screen 155775	216641
	Hood 101375	216642
	Impeller (Not Shown)	216658
4.	Conveyor Cart Assembly	83777
5.	Sheave Assembly, Conveyor Cart (4) OR 213644	75333
6.	Back Stop, Conveyor Cart	83895
7.	Wood Strip Kit, Conveyor Cart	216287
8.	Hardware Kit, Backstop	216293
9.	Guide-A-Cut Assembly	83892
10.	Scale Kit, (Decal)	216291
11.	Wrench (3/4")	213643
12.	Wrench (7/8")	214124
13.	Stop, Rubber	210051
14.	Tensioning eye-bolt	73277
15.	Spring, Foot Pedal	72567
16.	Decal Kit (not shown) *** SEE BELOW	SEE BELOW
17.	Raising Screw Assembly	219063
18.	Raising Screw Kit	219064
19.	Hand Wheel	219034
20.	Set Collar	101132
21.	Bearing Kit Raising Screw	219065
22.	Cover, Raise/Lower	219010
23.	Foot Pedal Weldment	219029
24.	Horizontal Link	219031
25.	Drain Hose & Clamp	OBS
26.	Vertical Link Assembly	OBS
27.	Diagonal Link Weldment	219032
28.	Yoke Weldment Assembly	OBS
29.	Connecting Link Assembly	↓
30.	Pivot Bar Rear	
31.	Swing Arm Assembly	
32.	Set Collar Kit	219073

*** USE THE FOLLOWING DECALS

227234
 227237
 227238
 216564
 109275
 213567

BBH (455 to 275) Service Parts List

Item	Part Description	Part Number
33.	Lower Stay-Level Arm Assembly	219074
34.	Bearing Kit, Pivot Head	219070
35.	Water Curtain Assembly	219038
36.	Protection Plate Kit	218047
37.	Bushing, Bearing Nylon	213631
38.	Supports Blade Shaft	76060
39.	Bearings Blade shaft 73418 OR	* 218049
40.	Blade Shaft Kit	76556
41.	Loose Collar	218016
42.	Screw Loose Collar	8042096
43.	Belt Guard Assembly	76129
44.	Pulley, Blade Shaft	76132
45.	Bracket, Belt Guard	73298
46.	V-Belts 20" Equipment	216662
	V-Belts 14" Equipment	216663
47.	Pulley, Motor (5 H.P., 14")	76130
	Pulley, Motor (5 H.P., 20")	76131
	Pulley, Motor (7.5 H.P., 20") 83836 IF USING BALDOR MOTOR	210926
48	Screw Belt Tensioning	73277
49.	Cutting Head Weldment	219015C
50.	Clamp Kit Cable	214029
51.	Stay-Level Pivot Weldment	219009
52.	Splash Guard Kit	218053
53.	Blade Guard Weldment (14")	214102C
	Blade Guard Weldment (20")	76126
54.	Water Distribution Assembly (14")	214126
	Water Distribution Assembly (20")	218055
55.	Cam Kit Stay-Level Arm	214132
56.	Stay-Level Arm	218014
57.	Pin Kit Stay-Level Arm	214131
58.	Motor 5 H.P. 230v/60hz/1ph	232088
	Motor 5 H.P. 230v-460v/60hz/3ph 232099	219040
	Motor 7.5 H.P. 230v-460v/60hz/3ph	232100
59A.	Receptacle, Water Pump	216579
59B.	Pigtail, Water Pump	OBS
60.	Switch Assembly, On-Off [230v/60hz/ 1ph] (Single Phase Only!) -	219059
	Switch Assembly, On-Off [230v-460v/60hz/3ph] (Three Phase Only!)	

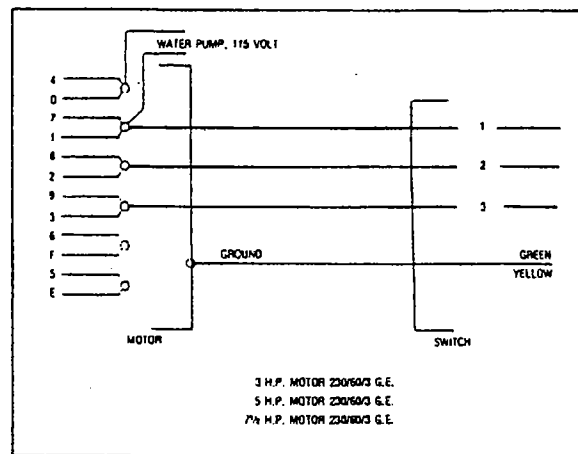
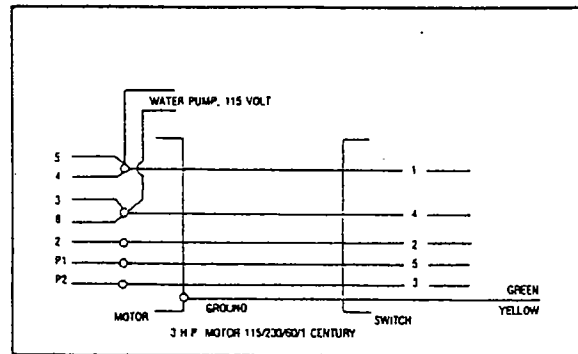
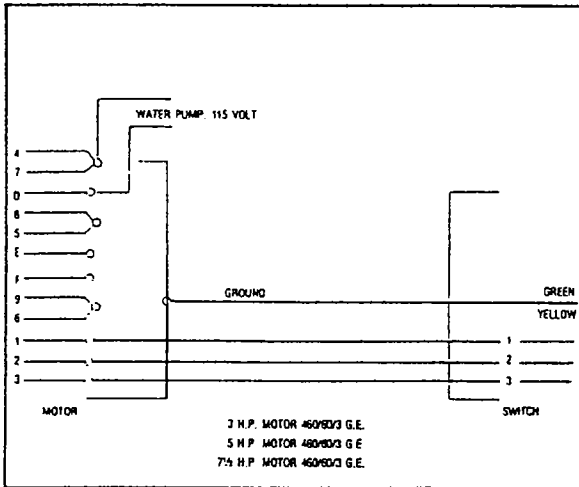
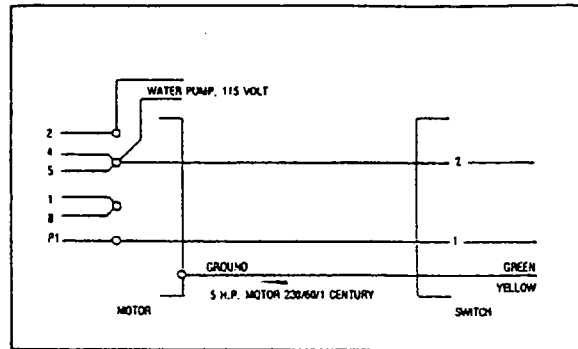
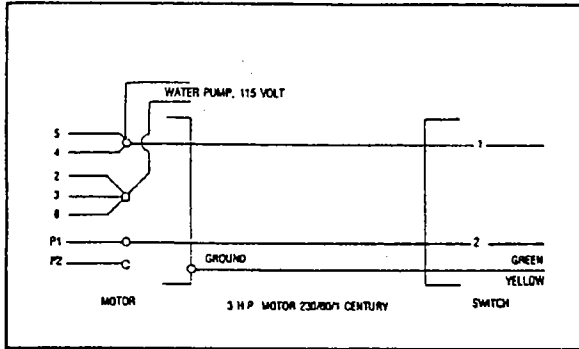
12 GAUGE
WIRE

- * IF USING OLD BLADE SHAFT 218050 USE 218049
IF USING WITH NEW BLADE SHAFT 76556, USE 73418

CAUTION-When wires that are too small gauge or too long are used, loss of power, overheating, or possible damage to the motor will result.

3. GROUND CONNECTION

IMPORTANT-Be sure to ground saw properly before operating, such as ground wire connection provided by the power company.



5 HP 460/60/3 Century: BBH-255-UY, BBH-455-UY

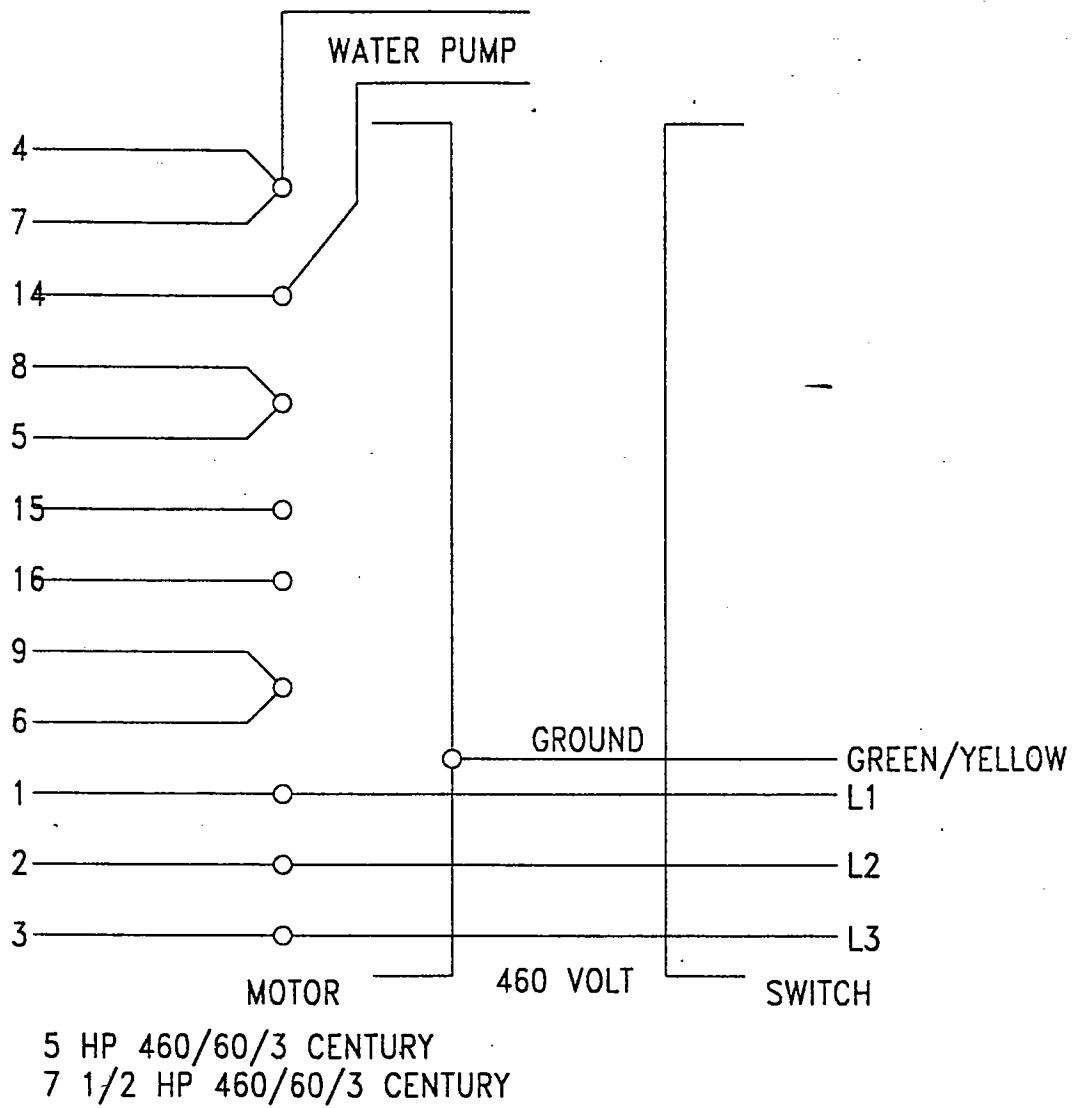


Figure 8: 5 HP and 7 1/2 HP 460/60/3 Century

**IF SOMEONE NEEDS TO WIRE A WATER
PUMP OUTLET TO THE MOTOR- USE
THIS DIAGRAM**

