

**NORTON**

*clipper*

**NORTON**

*clipper*

**NORTON**

*clipper*

BBH 43  
BBH 43  
BBH 23  
BBH 25  
BBH 47  
BBH 27

# OWNER'S MANUAL

TWO TYPES OF MOTORS:

CENTURY AND G.E.

## BLOCKBUSTER SUPER PRO MASONRY SAW

V- BELTS 14" 216663

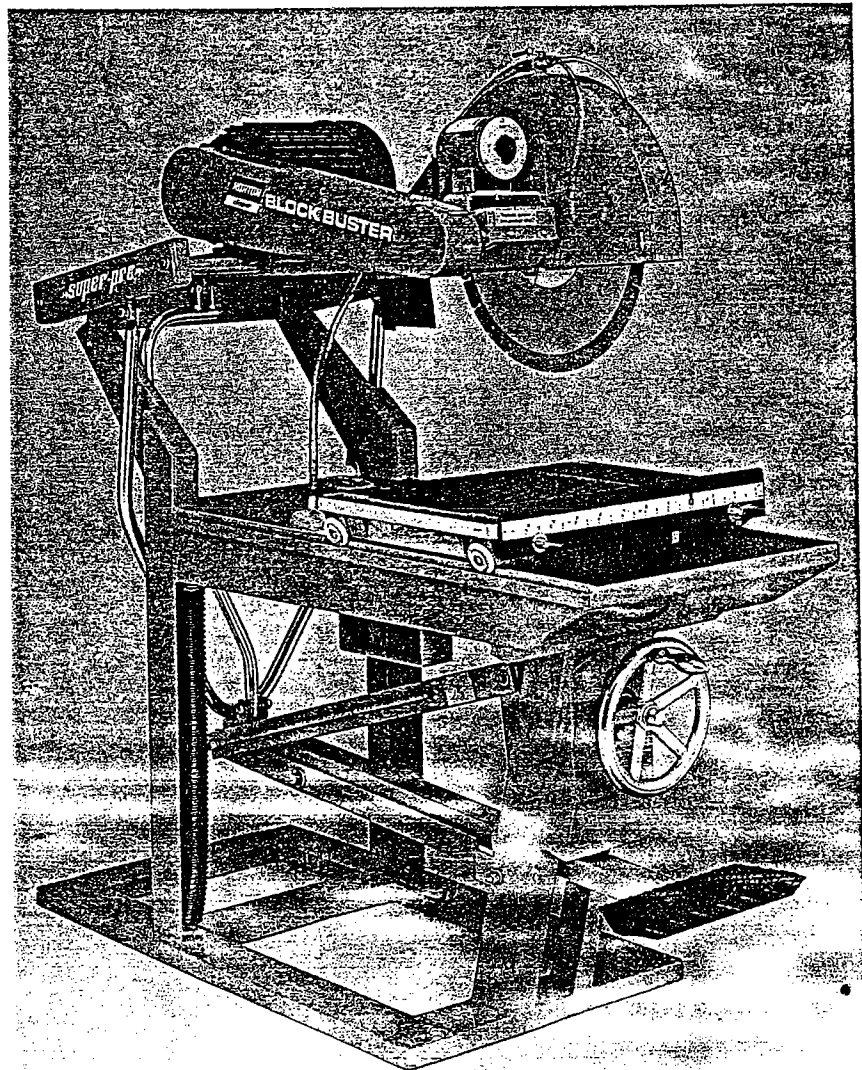
V-BELTS 20" 216662

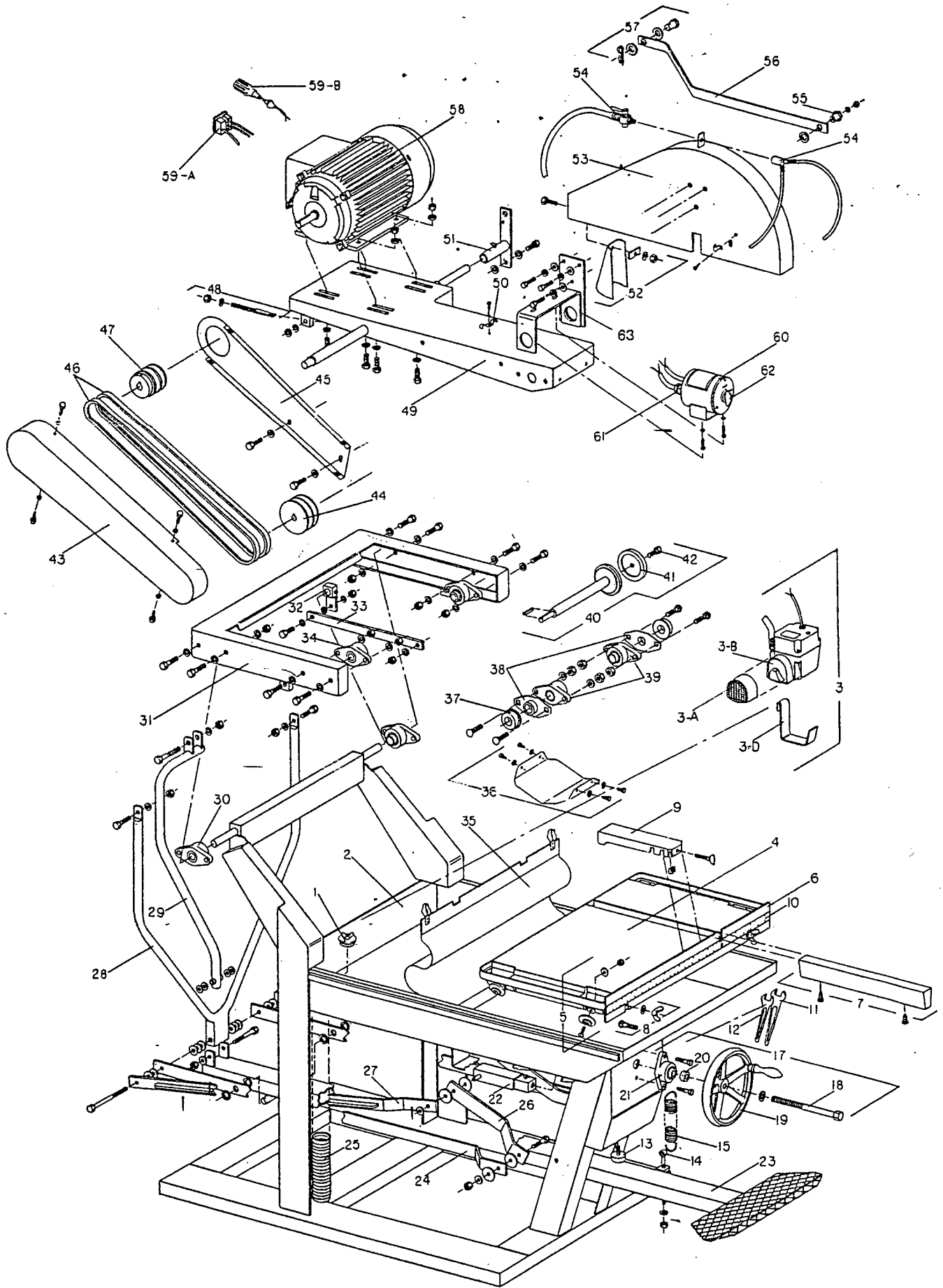
CONVEYOR CART 83777

### MODEL BBH

WATER PUMP 214169 OR

210437





HOOD  
SCREEN

101375  
155775  
FITS 214169

# IV. PARTS LIST SECTION

## BBH MASONRY SAWS

NO.	DESCRIPTION	PART NO.	NO.	DESCRIPTION	PART NO.
1.	Drain Plug	200298 <del>213622</del>	21.	Bearing Kit Raise Screw	219065
2.	Frame Weldment	OBS <del>2190266</del>	22.	Cover Raise Lower	219010
3.	Water Pump Assembly	214169	23.	Foot Pedal Weldment	219029
	Screen	FITS 210437	24.	Horizontal Link Assy 2 req	219031
	Hood	FITS 210437	25.	Drain Hose & Clamp	219066
	Impeller (not shown)	216658	26.	Vertical Link Assy	76207 <del>219067</del>
4.	Conveyor Cart Assembly	<del>216286</del> 83777	27.	Horizontal Link Weldment	219032
5.	Sheave Assv. Conveyor (4)	<del>213621</del> 75333	28.	Yoke Weldment Assy	219027 219068
6.	Back Stop, Conveyor Cart	<del>216288</del> 83895	29.	Connecting Link Assy	76204 <del>219069</del>
7.	Wood Strip Kit, Conveyor	216287	30.	Pivot Bar Rear	72475 <del>219071</del>
8.	Hdwre Kit, Back Stop (2)	216293	31.	Swing Arm Assy.	219005 <del>219072</del>
9.	Guide-A-Cut Assembly	83892 <del>216128</del>	32.	Set Collar Kit	219073
10.	Scale Kit Decal	76147 <del>216291</del>	33.	Lower Stay Level Arm Assy	219074
11.	Wrench, 3/4"	213643	34.	Bearing Kit Pivot Head	<del>219076</del> 72475 NEED 2
12.	Wrench, 7/8"	214124	35.	Water Curtain Assy	219038 <del>219075</del>
13.	Stop, Rubber	72351 <del>210051</del>	36.	Protection Plate Kit	76111
14.	Tensioning eye-bolt	73277	37.	Bushings Bearings Nylon	<del>213631</del> 73220
15.	Spring Foot Pedal	72567	38.	Supports Blade Shaft	76060 <del>218050</del>
16.	Decal Kit (not shown)	OBS <del>219062</del>	39.	Bearings Bladeshaft	218049
17.	Raise Screw Assy	76198 <del>219063</del>	40.	Blade Shaft kit	76556 <del>218050</del>
18.	Raise Screw Kit	219064	41.	Loose Collar	73281 <del>218016</del>
19.	Hand Wheel	219034	42.	Screw Loose Collar	8042096
20.	Set Collar	101132	43.	Belt Guard Assy	76129 <del>219051</del>

IV. PARTS LIST SECTION  
BBH MASONRY SAWS

NO.	DESCRIPTION	PART NO.	NO.	DESCRIPTION	PART NO.
44.	Pulley Blade Shaft	76132	59A.	Receptacle, Water Pump	216579
45.	Bracket Belt Guard	<del>218052C</del> 73298	59B.	Pigtail, Water Pump	<del>212168</del> OBS 212168
46.	V-Belts 20" Eqpt	216662	60.	Switch Assembly Dual Volt (115/230/60/1) Single Phase Only! Used on 235/435 SY Models	<del>218092</del> 219060
	V-Belts 14" Eqpt	216663			
47.	Pulley Motor 14" Eqpt	76130		Switch Assembly, On-Off (230/60/1) Single Phase Only! Used on 235/435 CY Models	<del>218093</del> 219059
	Pulley Motor 20" Eqpt	76131			
48.	Screw Belt Tensioning	73277	49.	Cutting Head Wldmt. Used on 235,435/255,455 TY & UY Models	<del>218094</del> 219059
		219015C			
50.	Clamps Kit Cable	214029		Switch Assembly, On-Off (230 or 460/603) Three Phase Used on 275/475 TY & UY Models	<del>218094</del> 219059
51.	Stay Level Pivot Wldmt	219009			
52.	Spalsh Guard Kit	218053			
53.	Blade Guard Wldmt.	<del>214124C</del> 76037			
	Blade Guard Wldmt.	<del>218054C</del> 76126			
54.	Water Dist Assy 14"	<del>214120</del> 218021			
	Water Dist Assy 20"	218055			
55.	Cam Kit Stay-Level Arm	<del>214132</del> 76597			
56.	Stay-Level Arm	<del>218014</del> 73266			
57.	Pin Kit Stay Level Arm	<del>214131</del> 76039			
58.	Motor 3 hp 115/230/60/1	211036			
	Motor 5 hp 230/60/1	<del>211038</del> 232088			
	Motor 5 HP 220/440/3	219040			
	Motor 7.5 HP 220/440/60/3	<del>219041</del> 232100			