

# clipper

## SELECT-A-NOTCH MASONRY SAW

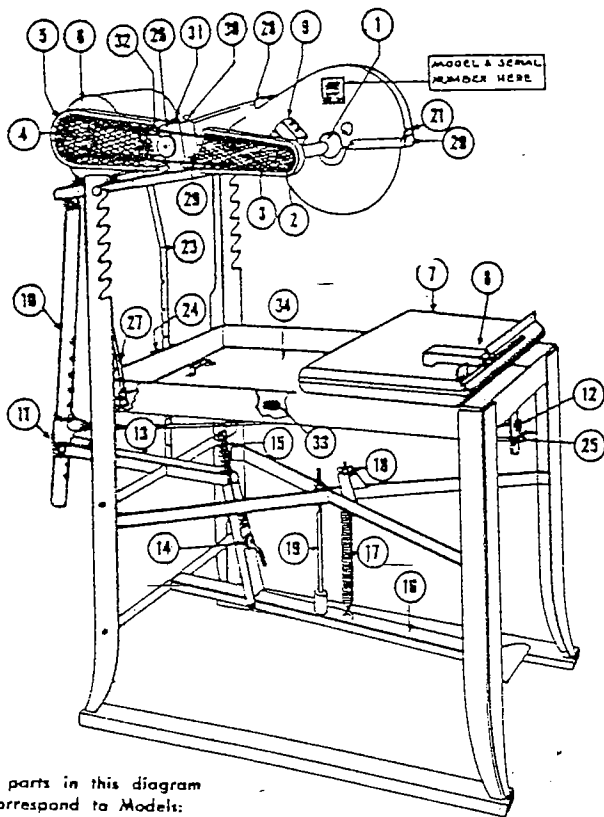
### PARTS LIST

E-49; E-47; E-41; C-47

HD-49; HD-48; HD-47

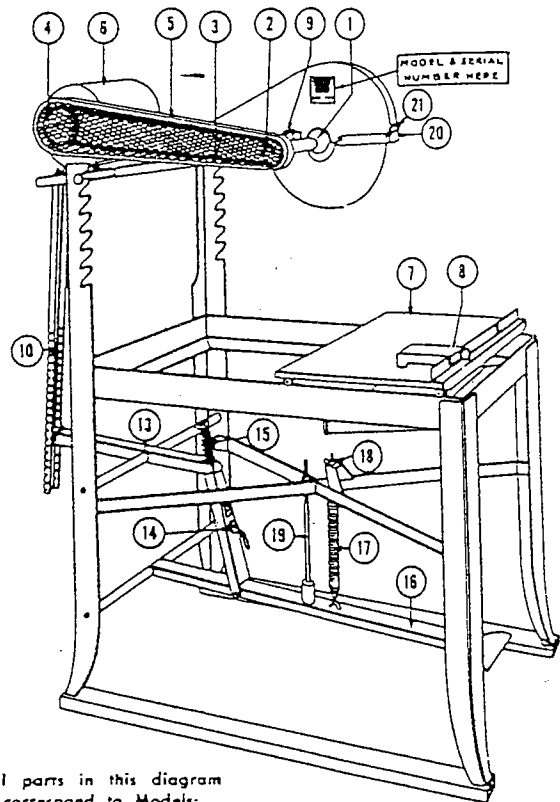
H-47; H-41; JA-47

J-41; J-47



All parts in this diagram correspond to Models: HD-49; HD-48; HD-47.

FIGURE I



All parts in this diagram correspond to Models: H-47; H-41; JA-47.

FIGURE II

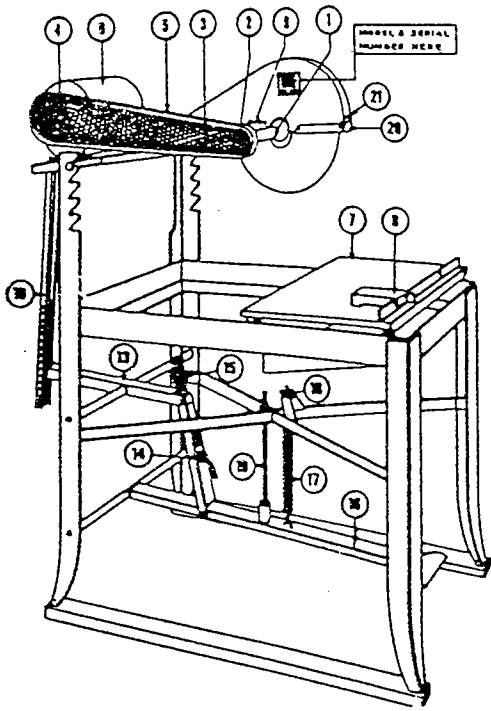
### IMPORTANT

When ordering replacement parts for Clipper Masonry Saws, be sure to specify saw model and serial number for which part is intended. We do not recommend pump repair outside of our own factory, for precision tools, lapping and proper testing are required to assure satisfactory performance.

All prices F.O.B., Worcester, Mass. or other factory Warehouse at our option. Small parts shipped via parcel post or express - motors via freight unless otherwise instructed.

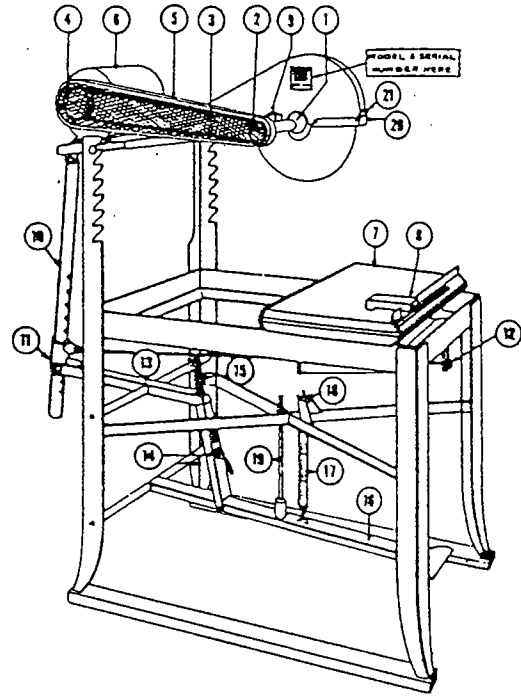






All parts in this diagram correspond to Models: E-47; E-41; C-47; C-4...

FIGURE 3

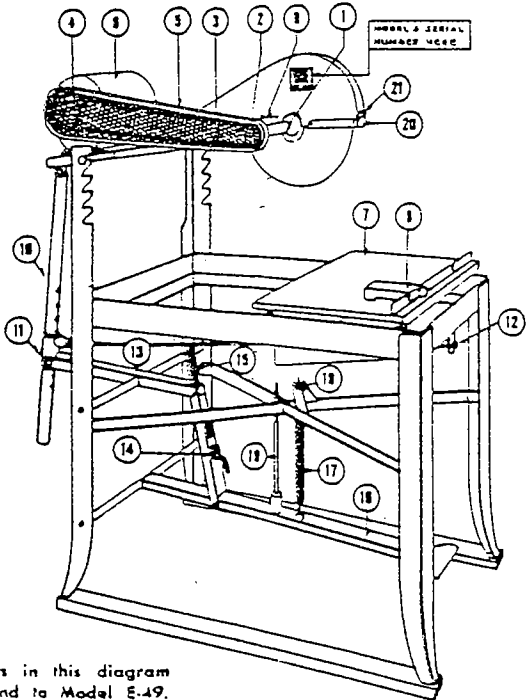


All parts in this diagram correspond to Models: H-49; J-49.

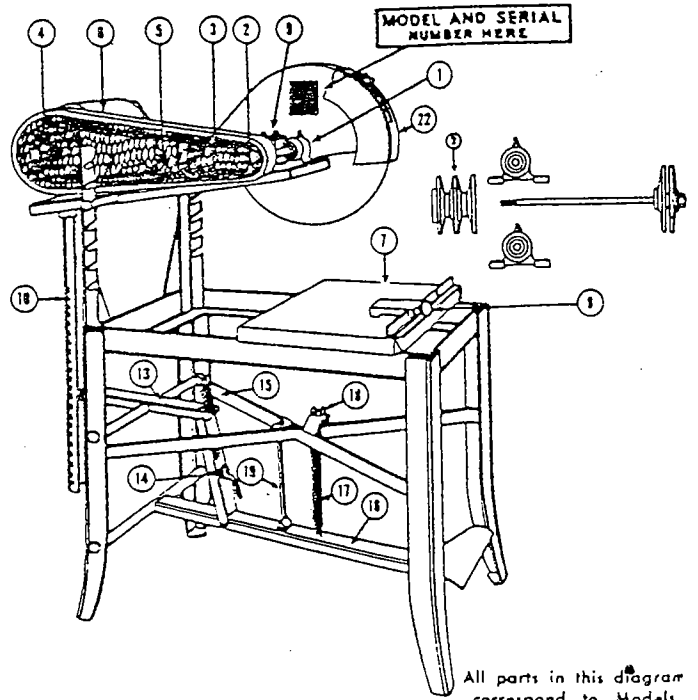
FIGURE 4

FIGURE 5

FIGURE 6



All parts in this diagram correspond to Model E-49.



All parts in this diagram correspond to Models: J-41; J-47.