

CM 401

OPERATING INSTRUCTIONS

Translation of the original instructions



SAINT-GOBAIN





Declaration of conformity

The undersigned manufacturer:

SAINT - GOBAIN ABRASIVES S.A.
190, BD J.F. KENNEDY
L- 4930 BASCHARAGE

Declares that this product:

Masonry Saws: **CM 401 500 30.1.230V**
CM 401 500 40.3.400V
CM 401 600 30.1.230V
CM 401 600 40.3.400V
CM 401 500 30.1.115V
CM 401 600 30.1.115V

Code: **70184626981**
70184626983
70184626994
70184627004
70184627497
70184627498

is in conformity with the following Directives:

- **"MACHINES" 2006/42/CE**
- **"ÉLECTROMAGNÉTIQUE COMPATIBILITÉ" 2014/30/EU**
- **"NOISE" 2000/14/CE**

and European standard:

- **EN 12418 – Masonry and stone cutting-off machines – Safety**

Valid for machines as of serial number: 161000000

Storage site for the technical documents:

Saint-Gobain Abrasives 190, Bd. J. F. Kennedy 4930 BASCHARAGE, LUXEMBOURG

This declaration of conformity loses its validity when the product is converted or modified without agreement.

Bascharage, 21.03.2023

François Chianese, executive officer and responsible for the technical file.
Bascharage, Luxembourg



Declaration of conformity

The undersigned manufacturer:

SAINT - GOBAIN ABRASIVES S.A.
190, BD J.F. KENNEDY
L- 4930 BASCHARAGE

Declares that this product:

Masonry Saw: CM 401 500 30.1.230V	Code: 70184626981
CM 401 500 40.3.400V	70184626983
CM 401 600 30.1.230V	70184626994
CM 401 600 40.3.400V	70184627004
CM 401 500 30.1.115V	70184627497
CM 401 600 30.1.115V	70184627498

is in conformity with the following standard:

- ***Supply of Machinery (Safety) Regulations 2008***
- ***Electromagnetic Compatibility Regulations 2016***
- ***Noise Emission in the Environment by Equipment for use Outdoors Regulations 2001***

and European standard:

- ***EN 12418 – Masonry and stone cutting-off machines – Safety***

Valid for machines with a serial number greater than: 161000000

Authorised Representative:

SAINT-GOBAIN ABRASIVES

Unicorn House • Unit 1, Amison Close

Redhill Business Park • Stafford • England • ST16 1WB

This declaration of conformity loses its validity when the product is converted or modified without agreement.

Bascharage, 21.03.2023

François Chianese, executive officer and responsible for the technical file.
 Bascharage, Luxembourg

CM 401

OPERATING INSTRUCTIONS

<u>1</u>	<u>BASIC SAFETY INSTRUCTIONS</u>	<u>6</u>
1.1	<i>Symbols</i>	6
1.2	<i>Machine plate</i>	7
1.3	<i>Safety instructions for particular operating phases</i>	7
<u>2</u>	<u>MACHINE DESCRIPTION</u>	<u>8</u>
2.1	<i>Short description</i>	8
2.2	<i>Purpose of use</i>	8
2.3	<i>Layout</i>	9
2.4	<i>Technical Data</i>	11
2.5	<i>Statement regarding the vibration emission</i>	12
2.6	<i>Statement regarding noise emission</i>	13
<u>3</u>	<u>ASSEMBLY AND COMMISSIONING</u>	<u>14</u>
3.1	<i>Tool assembly</i>	14
3.2	<i>Electrical connections</i>	14
3.3	<i>Starting the machine</i>	14
3.4	<i>Water cooling system</i>	15
<u>4</u>	<u>OPERATING THE MACHINE</u>	<u>15</u>
4.1	<i>Site of work</i>	15
4.2	<i>Cutting methods</i>	15
<u>5</u>	<u>TRANSPORT AND STORING</u>	<u>18</u>
5.1	<i>Securing for transport</i>	18
5.2	<i>Transport procedure</i>	19
5.3	<i>Long period of inactivity</i>	19
<u>6</u>	<u>MAINTENANCE AND SERVICING</u>	<u>19</u>
<u>7</u>	<u>FAULTS: CAUSES AND CURES</u>	<u>21</u>
7.1	<i>Fault-finding procedures</i>	21
7.2	<i>Trouble-shooting guide</i>	21
7.3	<i>Circuit diagram</i>	22
7.4	<i>Customer service</i>	26
7.5	<i>Spare parts</i>	27

1 BASIC SAFETY INSTRUCTIONS

The CM 401 is exclusively designed for the cutting of construction products mainly on construction sites.

Uses other than the manufacturer's instructions shall be considered as contravening the regulations. The manufacturer shall not be held responsible for any resulting damage. Any risk shall be borne entirely by the user. Observing the operating instructions and compliance with inspection and servicing requirements shall also be considered as included under use in accordance with the regulations.

1.1 Symbols

Important warnings and pieces of advice are indicated on the machine using symbols. The following symbols are used on the machine:



Read operator's instructions



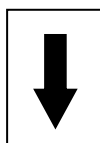
Ear protection must be worn



Hand protection must be worn



Eye protection shall be worn



Rotation direction of the blade



Danger: risk of cut

1.2 Machine plate

Important data can be found on the following plate located on the machine:

 SAINT-GOBAIN 190, Bd. J.F. Kennedy L-4930 BASCHARAGE LUXEMBOURG	Code: Machine Code	Year: Year of production	 = Ø Maximum blade mm	  
	Mod: Machine Model	W= Weight kg	 = Ø Bore mm	
	EN: Safety standard	P= Power kW	 = Blade speed RPM	
	Type: Machine type	Serial N°: Serial number		

1.3 Safety instructions for particular operating phases

Before commencing work

- Before commencing work, make yourself familiar with the working environment at the place of use. The working environment includes: obstacles in the area of work and manoeuvre, the firmness of the floor, necessary protection at the site relating to public thoroughfares and the availability of help in the event of accidents.
- Check for correct mounting of the blade regularly.
- Immediately remove damaged or badly worn blades, as they endanger the operator whilst rotating.
- Only fit NORTON diamond blades to the machine! The use of other tools can damage the machine!
- Attention is drawn to the use of BS2092 safety goggles in conformity with specified Processes No.8 of the Protection of Eyes Regulation 1974, Regulation 2(2) Part 1.
- For security reasons, never leave the machine unattended, untied or unlocked.

Electrical powered machine

- Always turn off the machine and separate it from the main source of electricity before any work on the machine is done.
- Make all electrical connections securely to eliminate contact of live wires with spray water or dampness.
- When the machine is used with water, it is IMPERATIVE that you earth the machine properly. Let a qualified electrician check in case of doubt.
- In the event of the machine breaking down or stopping for no apparent reason, switch off the main electricity supply. Only a qualified electrician is allowed to investigate the trouble and remedy the fault.
- In case of emergency, you can stop the machine by :
 - pushing on the front cover of the switch for 230V powered machines.
 - turning the switch 0/1 on 0 for 115V powered machines.
 - turning the ON-OFF switch on OFF for 400V powered machines.
- You can lock the ON-OFF-switch on 400V powered machines using a padlock.



2 MACHINE DESCRIPTION

Any modification, which could lead to a change in the original characteristics of the machine, may be done only by Saint-Gobain Abrasives who shall confirm that the machine is still in conformity with the safety regulations.

2.1 *Short description*

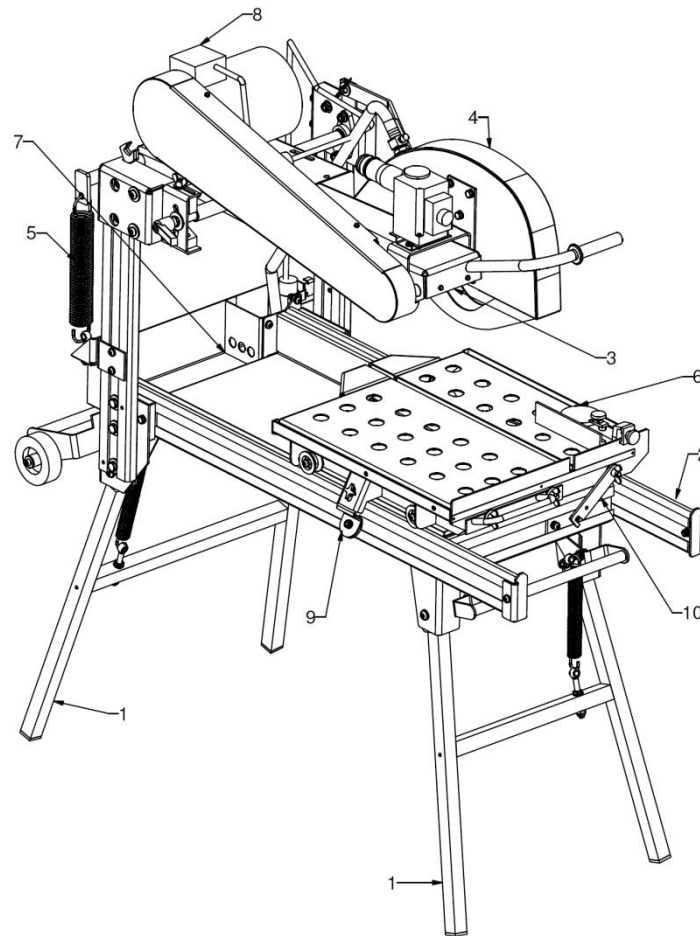
The CM 401 block saw is designed for durability and high performance for onsite wet and dry cutting operations of a wide range of masonry, refractory and natural stone products.

As with all other NORTON products, the operator will immediately appreciate the attention given to detail and quality of materials used in construction. The machine and its component parts are assembled to high standards assuring long life and minimum maintenance.

2.2 *Purpose of use*

The machine is designed for cutting a large range of building and refractory materials. It is not designed for cutting wood or metals.

2.3 Layout



Foot and handles (1)

The jig-welded, reinforced and all-steel construction feet ensures perfect stability. Precision springs allow the feet to be folded up. Handles can be used for the transport of the machine when the feet are folded up, and for locking the feet when the machine is standing on its feet.

Frame (2)

Built in aluminium profile, the frame is light and resistant.

Cutting head (3)

Jig-welded steel console. Console supports the electric motor and the blade guard. The balancing of the cutting head is achieved using a heavy-duty spring. A depth-locking device fixed to cutting head and frame enables the operator to set the cutting head to desired or to maximum cutting depth.

Blade guard (4)

Jig-welded steel construction with 400mm-diameter blade capacity, which offers maximum operator protection and increased visibility of the work piece.

Incorporated in the blade guard is a shaft vent cover, which can be easily hinged opened. This allows easy access to shaft for inspection and blade replacement when motor is switched off, while fully protecting the blade when in operation.

Down feed and cutting depth adjustment (5)

The spring-loaded cutting head, activated by hand with the grip on the blade guard ensures smooth

lowering of the cutting head for shock-free penetration of the work piece and improved control of the cutting pressure.

Conveyor cart (6)

Large, heavy-duty conveyor cart fitted with water flow-control vents, mounted on 4 rollers to give maximum stability and smooth movement. The conveyor cart is equipped with graduated scale on the backstop and with a guide-a-cut device.

Water cooling system (7)

The coolant system comprises:

- A powerful, submersible electric water pump.
- Plastic suction pipe delivering the water from the water pan to the cutting head.
- A removable large capacity aluminium water pan supplied with drain plug.
- A water-tap, fitted to the blade guard, permitting controlled water flow.
- Two water nozzles located inside the blade guard ensure adequate flow of water to both sides of the cutting blade.
- A water curtain, fixed to head axle restricts water spray and minimises water loss.

Electrical Motor (8)

Leroy-Somer motor with 2,2kW. Low voltage trigger (NVR) built in the switch prevents the motor to restart for example after a power cut.

The electric motor has an overload protection. Thermal overload tripping can occur for two reasons:

- a. tripping under light load
 If connection is incorrect
- b. tripping under heavy load
 If motor has been overloaded

Anti-tipping device (9)

Two sheaves located on each side of the conveyor cart stabilise the cart while its usage. It also prevents the cart from tipping from the frame.

Blocking device (10)

The cart can be fixed on the frame to allow the machine to be transported without danger.

2.4 Technical Data

Electric motor protection	IP54
Max. blade diameter	400 mm
Bore	25,4 mm
Flange diameter	95 mm
Cutting depth mm	150 mm (without reversing the material)
Water pan capacity	30L
Sound pressure level	81 dB (A) (following ISO EN 11201)
Sound energy level	94 dB (A) (following ISO EN 3744)

Code	70184627497	70184627498	70184626981	70184626994	70184626983	70184627004
Type	CM 401 500	CM 401 600	CM 401 500	CM 401 600	CM 401 500	CM 401 600
Power	2.2kW	2.2kW	2.2kW	2.2kW	3kW	3kW
Voltage	115V 1~	115V 1~	230V 1~	230V 1~	400V 3~	400V 3~
Location of the thermal protection	Switch	Switch	Motor	Motor	Switch	Switch
Cutting length	500	600	500	600	500	600
Blade shaft speed	2700 min ⁻¹	2700 min ⁻¹	2700 min ⁻¹	2700 min ⁻¹	2000 min ⁻¹	2000 min ⁻¹
Length	1205 mm	1380 mm	1205 mm	1380 mm	1205 mm	1380 mm
Width	660mm					
Cart dimension	500x500 mm	500x600 mm	500x500 mm	500x600 mm	500x500 mm	500x600 mm
Height (with feet)	1510mm					
Height (without feet)	920mm					
Weight (total)	111kg	113kg	111kg	113kg	113kg	115kg
Weight (frame)	92kg	93kg	92kg	93kg	94kg	96kg
Weight (cart)	15kg	15kg	15kg	15kg	15kg	15kg
Weight (water pan)	4kg	4kg	4kg	4kg	4kg	4kg

2.5 Statement regarding the vibration emission

Declared value of vibration emission following **EN 12096**.

Machine Model / code	Measured value of vibration emission at m/s ²	Uncertainty K m/s ²	Tool used Model / code
CM 401 500 30.1.230V 70184626981	<2.5	0.5	Clipper ZDH500 diamond blade
CM 401 500 40.3.400V 70184626983			
CM 401 600 30.1.230V 70184626994			
CM 401 600 40.3.400V 70184627004			
CM 401 500 30.1.115V 70184627497			
CM 401 600 30.1.115V 70184627498			

- The vibration value is lower and does not exceed 2.5 m / s.
- Values determined using the procedure described in the standard **EN 12418**.
- The measurements are made with new machines. Actual values may vary with site conditions, in terms of:
 - Materials worked
 - Wear Machine
 - Lack of maintenance
 - Inappropriate tool for application
 - Tool in poor condition
 - Unskilled operator
 - Etc...
- The exposure time to vibration is based on the performance of work (related to the adequacy Machine / Tool / worked material / operator)

When evaluating risks due to hand-arm vibration, you need to take into account effective usage at rated power of machine during a full day of work; quite often you will realise that effective utilisation time represents around 50% of overall duration of work. You have to consider, of course, breaks, water feeding, preparation of work, time to move the machine, disk mounting...

2.6 Statement regarding noise emission

Declared value of noise emission following **EN ISO 11201** and **NF EN ISO 3744**.

Machine Model / code	Sound Pressure level L_{Peq} EN ISO 11201	Uncertainty K (Sound Pressure level L_{Peq} EN ISO 11201)	Sound power level L_{Weq} NF EN ISO 3744	Uncertainty K (Sound power level L_{Weq} NF EN ISO 3744)
CM 401 500 30.1.230V 70184626981	81 dB(A)	2.5 dB(A)	94 dB(A)	4 dB(A)
CM 401 500 40.3.400V 70184626983				
CM 401 600 30.1.230V 70184626994				
CM 401 600 40.3.400V 70184627004				
CM 401 500 30.1.115V 70184627497				
CM 401 600 30.1.115V 70184627498				

- Values determined using the procedure described in the standard **EN 12418**.
- The measurements are made with new machines. Actual values may vary with site conditions, in terms of:
 - Wear Machine
 - Lack of maintenance
 - Inappropriate tool for application
 - Tool in poor condition
 - Unskilled operator
 - Etc...
- Measured values relate to an operator in normal use, as described in the manual position.

3 ASSEMBLY AND COMMISSIONING

The machine is delivered fully equipped and assembled (although without diamond blade) and is ready for operation after connection to the appropriate power supply.

3.1 *Tool assembly*

Only NORTON blades with a maximum diameter of 400 mm can be used with the CM 401.

All tools used must be selected with regard to their maximum permitted cutting speed for the machine's maximum permitted rotation speed.

Before mounting a new blade into the machine, switch off the machine and isolate it from the main source of electricity.

To mount a new blade, follow these steps:

- Open the shaft vent cover on the blade guard.
- Loosen the screw on the blade shaft, which holds the removable outer flange.
- Remove the outer flange.
- Clean the flanges and blade shaft and inspect for wear.
- Mount the blade on arbor ensuring that direction of rotation is correct. Wrong direction of rotation blunts the blade quickly.
- Replace outer blade flange.
- Tighten the screw with spanner supplied for this purpose.
- Shut the vent cover.

The blade bore must correspond exactly to the diameter of the blade shaft. Cracked or damaged bore is dangerous for the operator and for the machine.

3.2 *Electrical connections*

Check that,

- the voltage/phase supply corresponds to the information indicated on the motor plate.
- Available power supply must have ground connection in conformity with safety regulations.
- The connecting cables should have at least a 2.5mm²-section per phase.

3.3 *Starting the machine*

230V Motor

Open the switch cover and press the green button to start the machine. To stop either use the red button or press directly on the switch front cover.

115V Motor

To switch the machine on, turn the 0/1 switch on 1. To switch the machine off, turn the 0/1 switch on 0.

400V Motor

Put the ON-OFF-Switch on ON. Then put the Star-Triangle-Switch on Y. Wait until the blade reaches its maximum rotational speed, then turn the Star-Triangle-switch on Δ .

The direction of rotation is indicated on the blade guard. If the direction of rotation does not correspond to the direction shown by the arrow, then reverse the motor polarity by turning the phase inverter inside the male plug with a screwdriver.

3.4 Water cooling system

Fill the water pan with clean water to approximately 2cm from top (ensure that bottom of pump is fully immersed in water).

Open water-tap at blade guard (note that handle on water-tap should be in line with water-flow).

Ensure that water is flowing freely in the circuit and is delivered adequately to both sides of the blade, as insufficient water supply may result in premature failure of the diamond blade.

The water pump must never run without water. Always make sure that there is enough water in the pan and refill if necessary.

In case of frost, empty the water cooling system from its water.

4 OPERATING THE MACHINE

4.1 Site of work

4.1.1 Siting the machine

- Remove from the site anything, which might hinder the working procedure!
- Make sure the site is sufficiently well lit!
- Observe manufacturer's conditions for connecting to power supplies!
- Place electric cables in such a way that damage by the device is excluded!
- Make sure you have a continual adequate view of the working area so you can intervene in the working process at any time!
- Keep other staff out of the area, so you can work securely.

4.1.2 Space required for operation and maintenance

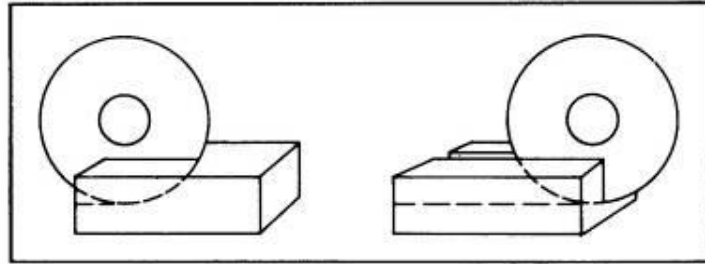
Leave 2 m in front of the machine and 1,5 m around it for usage and maintenance of the CM 401.

4.2 Cutting methods

To use the machine correctly, you must face it with one hand on the handle of the cutting head, and the other on the conveyor cart. Always keep your hands away from the moving blade.

4.2.1 Full depth or fixed cutting

In full depth or fixed cutting, the cutting head is locked in a fixed position and the material is pushed into it as shown.

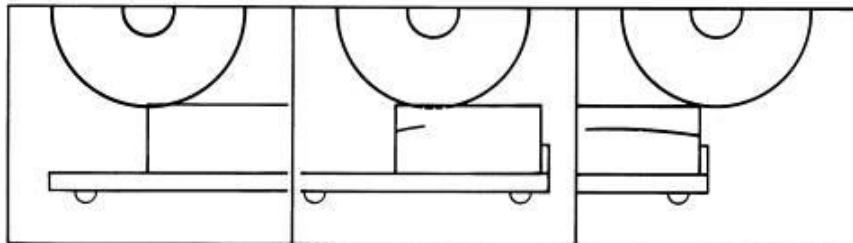


- Lower the cutting head to the desired cutting depth (in “through cutting”, lower cutting head until blade periphery reaches max. 3mm under the surface of the conveyor cart) by means of the handle on the blade guard
- Fix position by tightening the clamping device
- Put material on conveyor cart
- Push the conveyor cart slowly and without undue pressure towards the rotating blade and cut the material as shown on the picture.

NOTE: While recommended, it is not absolutely necessary to lock the cutting head into a given depth position when jam cutting. The desired cutting depth can be maintained by holding firmly the depth feed handle on the blade guard. If the full depth of cut requires excessive pressure (on very dense material e.g.) make 2 or 3 shallow cuts.

4.2.2 Multiple step cutting

Multiple step cutting consists of moving the conveyor cart with the material to be cut back and forward under the rotating blade,



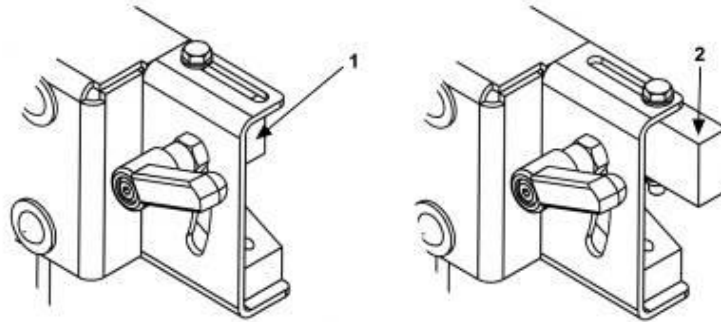
- Place the material to be cut on the conveyor cart firmly against the guide-a-cut and the backstop, keeping the hands well away from the blade.
- Move conveyor cart forward near the blade and pull down the cutting head until blade is lowered to a point where it will lightly contact the surface of the material.
- Then pass the material beneath with rapid full length strokes, taking a shallow cut (approximately 3 mm deep as shown on the picture) on the forward. On the backward stroke, lift the blade just clear over the cutting line.
- Complete each rapid stroke backward and forward by passing the material beyond the centre of the blade before starting the reverse movement of the conveyor cart.

NOTE: the harder the material, the more rapid should be the forward and backward strokes.

Step cutting lessens the area of the blade circumference in contact with the material, keeping the blade cool, running free and cutting at peak efficiency.

4.2.3 Cutting thicker material

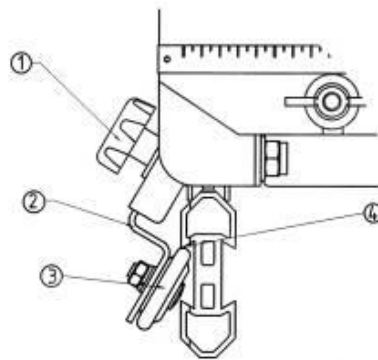
You can cut thicker material by reversing the material on the cart. In order to raise the head to pass the material under it, you have to slide the upper head stop from position 1 to position 2 as shown on the picture 4. You can then cut up to 300mm thick material. If you want to cut again fewer than 110mm, turn the stop from position 2 to position 1.



Picture 4: cutting with reversing the material

4.2.4 General advice for the cutting

- Material weighting under 30 kg and having dimensions smaller than 500x500x220mm for the CM 401 500 and 600x500x220mm for the CM 401 600 can be cut with the machine.
- Before commencing work make sure tools are firmly seated!
- Before using the machine, make sure the two anti-tipping devices are tighten correctly. Loosen the knob (1 on picture 5), and tighten the anti-tipping device (2) so the sheave (3) leans firmly on the profile (4).



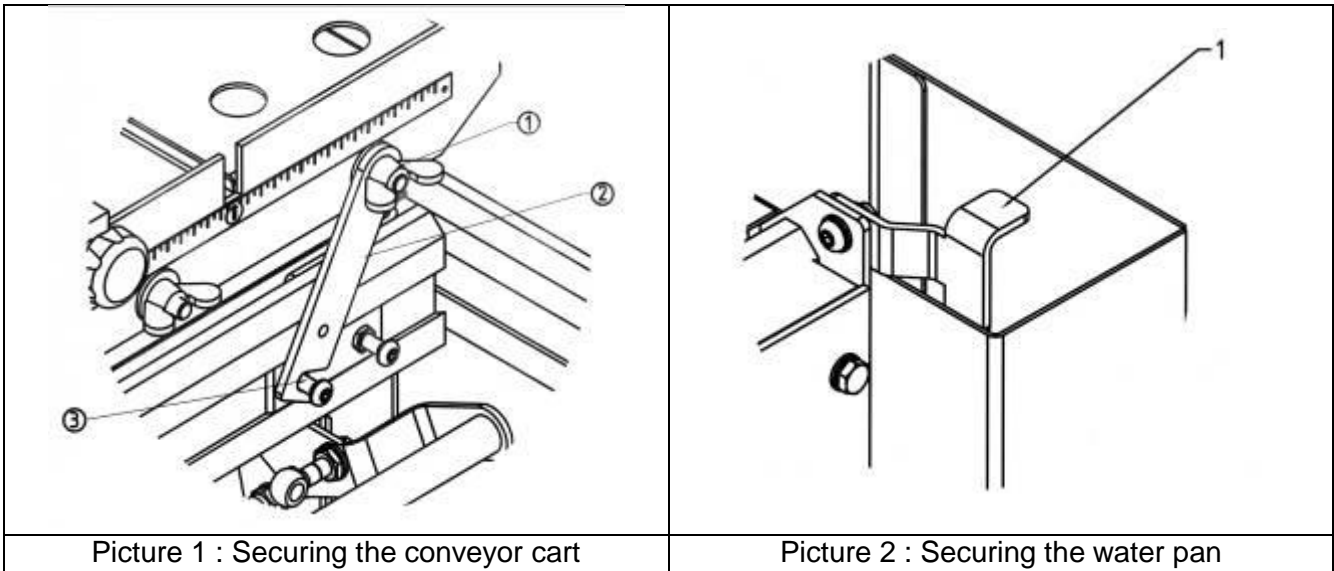
Picture 5: tightening of the anti-tipping device

- Select the right tools as recommended by the manufacturer depending on the material to be worked, the working procedure (dry or wet cut) to be carried out and the required efficiency.
- Apply cooling water continuously whilst cutting and in good time! Make sure the water pan contains enough water.
- When dry cutting, ensure sufficient dust extraction and wear a dusk protection mask!
- When cutting work is finished, close the water-tap so you can remove the cut pieces from the conveyor cart without getting wet.
- If the thermal protection trips, reactivate the motor by pushing on the black button located on the motor (230V motors) or on the switch (115V motors), or allow the thermal protection to cool down (400V motors). Wait a few minutes to allow the motor to cool down before restarting the machine.

5 TRANSPORT AND STORING

5.1 Securing for transport

Before transporting or lifting the machine, always remove the blade and empty the water pan. You can transport the machine mounted, or you can remove some parts from the machine so it is lighter.

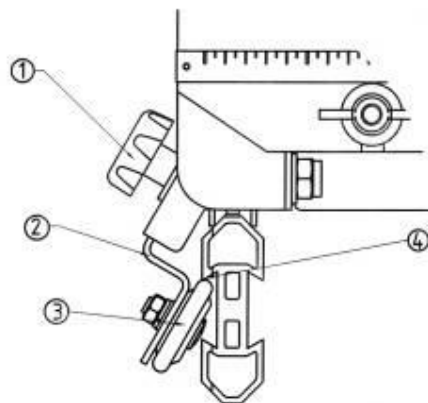


a) If you want to transport the machine mounted, you have to secure the conveyor cart and the water pan:

- To secure the cart (picture 1), loosen the wing nut (1) and turn the blocking device until it takes the screw (3). Then retighten the wing nut.
- To secure the water pan (picture 2), make sure the blocking device (1) is in the shown position.

b) You can also remove the conveyor cart and the water pan:

- To remove the cart, loosen the wing nut (1 on picture 1) and turn the blocking device until it is parallel to the scale. Loosen the knobs on each side of the conveyor cart (1 on picture 3), and put the anti-tipping device in its lower position. Then remove the cart.
- Before removing the pan, take the water pump out of it. Open the blocking device (1 on picture 2) and pull the pan out of the profiles.



Picture 3 : unlocking of the anti-tipping device

5.2 Transport procedure

The machine can be moved on a flat surface using its wheels. You must first fold away the feet. Two operators are required for this. Lift the rear handle and push lightly on the rear foot of the machine with your foot. The foot of the machine will automatically fold away. You can then put the rear of the machine on the floor. Then proceed the same way with the front foot.

5.3 Long period of inactivity

If the machine is not going to be used for a long period, please take the following measures:

- Completely clean the machine
- Loosen the drive belts
- Empty the water system
- Take the water pump out of the slurry and clean it thoroughly.

The storage site must be clean, dry and at a constant temperature.

6 MAINTENANCE AND SERVICING

To ensure a long-term quality from the cutting with the CM 401, please follow the maintenance plan below:

		Begin of the day	During the changing of tool	End of the day or more often if required	Every week	After a fault	After a damage
Whole machine	Visual control (general aspect, water tightness)						
	Clean						
Flange and blade fixing devices	Clean						
Belts tension	Check and adjust						
Motor cooling fans	Clean						
Water pump	Clean						
Water pan	Clean						
Water hoses and nozzles	Clean						
Water pump filter	Clean						
Cart guiding bars	Clean						
Motor housing	Clean						
Reachable nuts and screws	Tighten up						

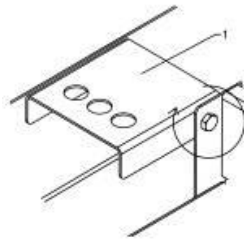
Maintenance of the motor

Always perform the maintenance of the motor with the machine isolated from the electrical supply.

Cleaning of the machine

Your machine will last longer if you clean it thoroughly after each day of work, especially water pump, water pan (which can be removed for easy cleaning), motor and blade flange.

Never use acid-based cleaning products, as the aluminium parts (water tray, rails, motor housing) can be corroded by these cleaning products. Always clean the machine when any cutting dust and debris is still fresh, never allow the deposits to solidify. To make the cleaning of the pump tank easier, you can open it as shown on picture 5:



Picture 6: open the water pump tank to clean it

Adjustment and replacement of the belts

To adjust the belts, firstly remove the belt guard by unscrewing the 4 nuts. Loose the 4 motor bolts and shift the motor by using the two screws on the side. To replace the belts, move the motor forward on the cutting head. Adjust the belts and retighten them by shifting the motor to the rear of the machine. Always use a matched set of belts. Do not replace single belts.

7 FAULTS: CAUSES AND CURES

7.1 *Fault-finding procedures*

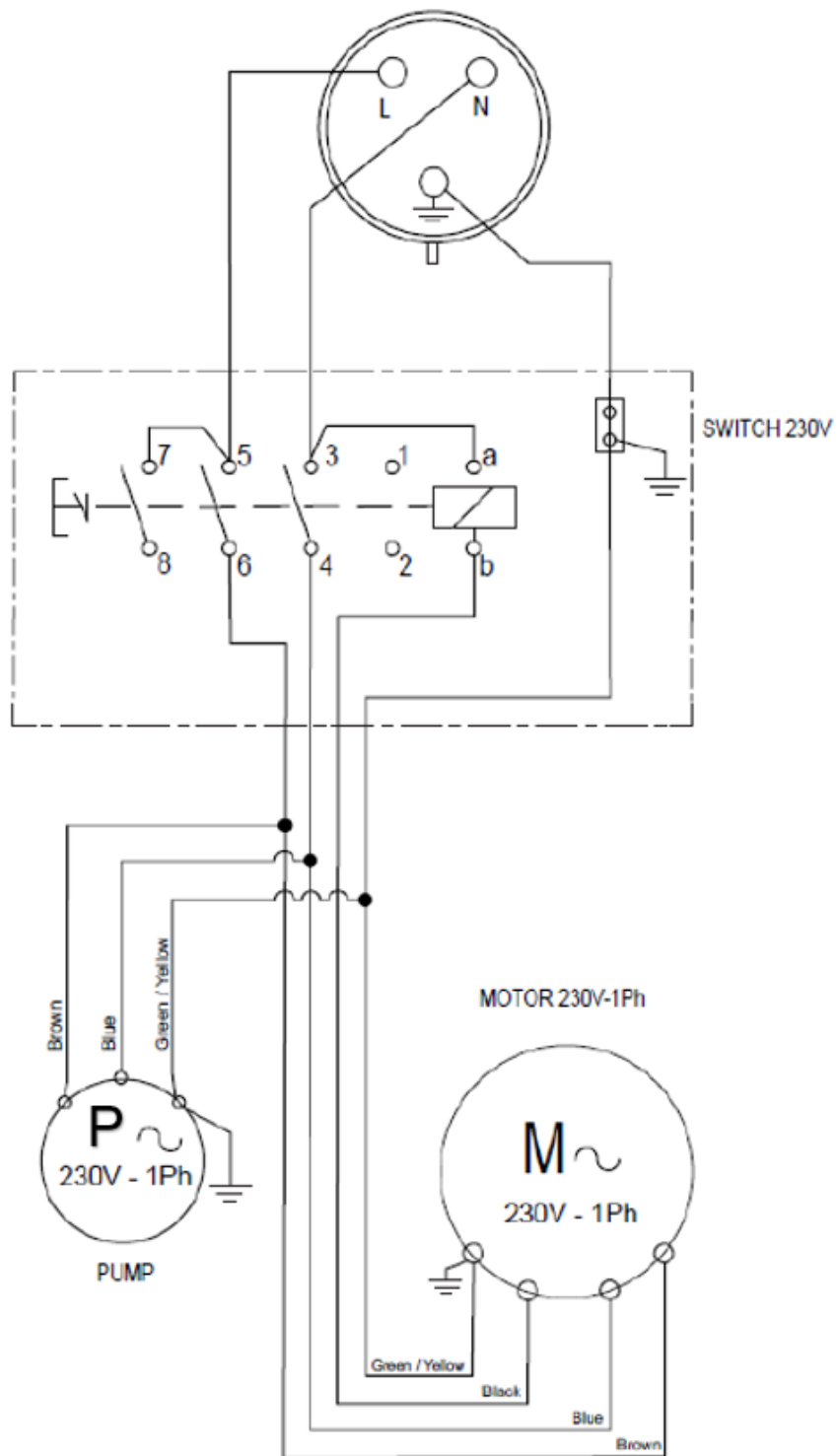
Should any fault occur during the use of the machine, turn it off, and isolate it from the electrical supply. Any works dealing with the electrical system or supply of the machine can only be carried out by a qualified electrician.

7.2 *Trouble-shooting guide*

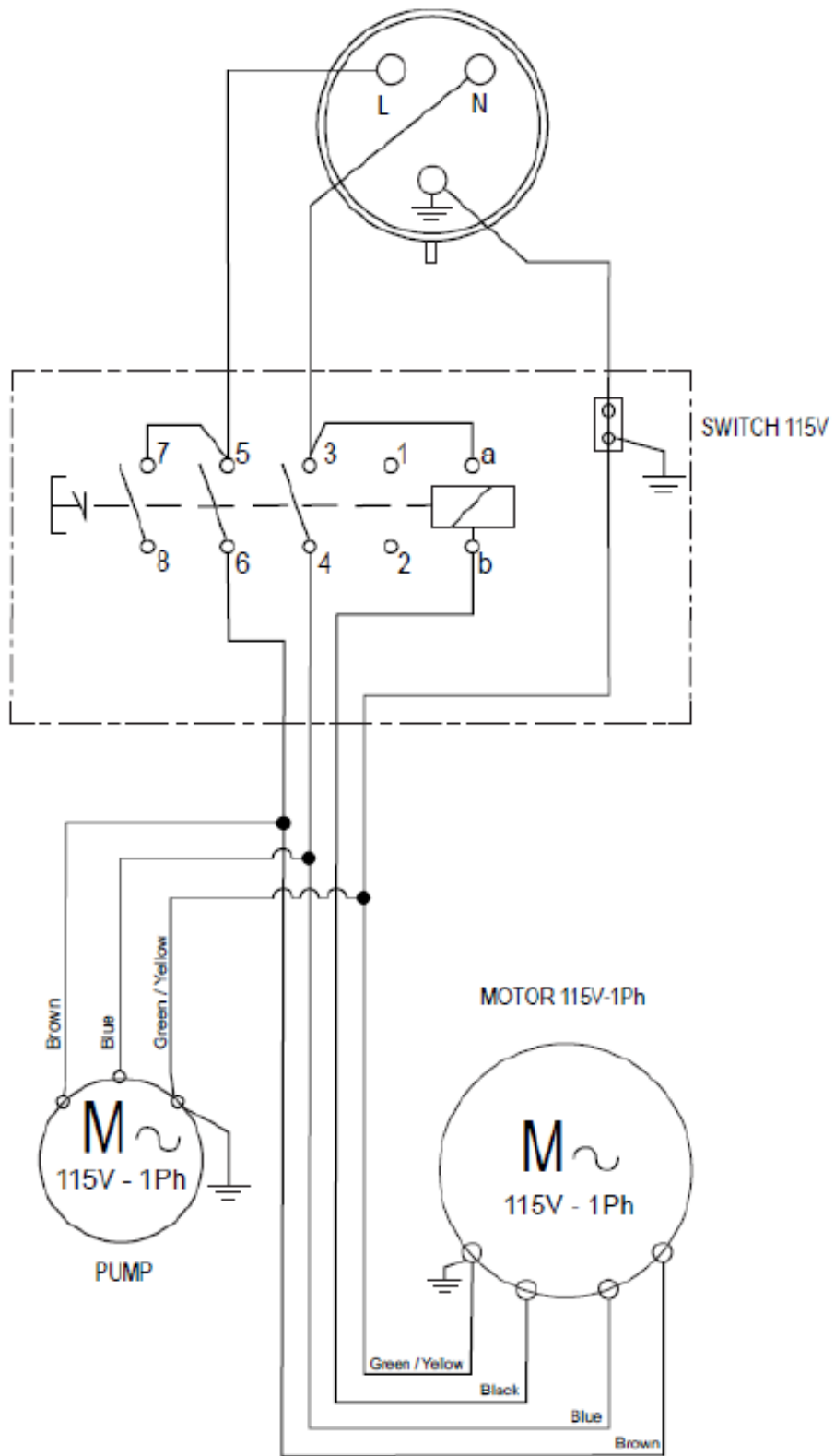
Trouble	Possible source	Resolution
Motor is not running	No electricity	Check the electrical supply (fuse for example)
	Connection cable section too small	Change connection cable
	Defective connection cable	Change connection cable
	Defective switch	CAUTION : can only be solved by qualified electrician
	Defective motor	Change motor or contact motor manufacturer
Blade is not turning	Belts not tightened or defective	Check the belts tension and change them if needed
Motor stops during the cutting, but can be restarted after a short period (overload protection)	Cutting advance too quick	Cut slowly
	Blade is blunt or glazed	Sharpen the blade in calcareous stone
	Defective blade	Change blade
	Wrong blade specification for the application	Change blade
No water on the blade	Not enough water in the pan	Refill the water pan
	Water tap is closed	Open tap on blade guard
	Water supply system is blocked up	Clean water supply system
	Water pump is not working	<ul style="list-style-type: none"> • Check if pump is connected to the motor • Change the pump

7.3 Circuit diagram

230V Motor



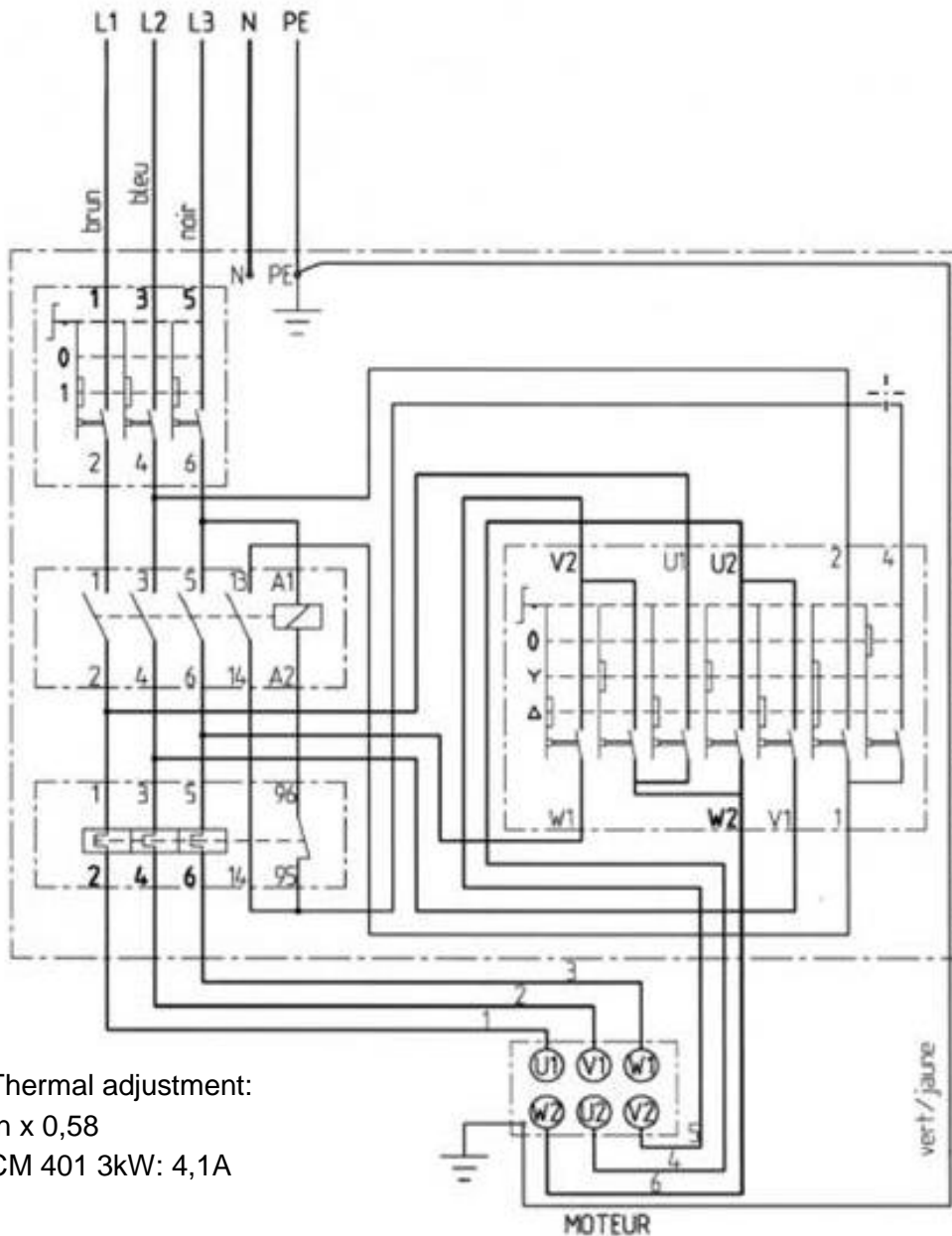
115V Motor



400V Motor

Merz Electric box

Moteur 400V



Thermal adjustment:
 $I_n \times 0,58$
 CM 401 3kW: 4,1A

7.4 Customer service

When ordering spare parts, please mention:

- The serial number (seven digits).
- The code of the part.
- The exact denomination.
- The number of parts required.
- The delivery address.
- Please indicate clearly the means of transportation required such as "express" or "by air". Without specific instructions, we will forward the parts through the means which seem appropriate to us --- but which is not always the quickest way.

Clear instructions will avoid problems and faulty deliveries.

If not sure, please send us the defective part.

In the case of a warranty claim, the part must always be returned for evaluation.

Spare parts for the motor can be ordered with the manufacturer of the motor or with their dealer, which is often quicker and cheaper.

This machine has been manufactured by Saint-Gobain Abrasives S.A.

Saint-Gobain Abrasives S.A.
190, Bd. J.F. Kennedy
L- 4930 BASCHARAGE
Grand-Duché de Luxembourg.
Tel. : 00352-50401-1
Fax : 00331 83717792
<http://www.construction.norton.eu>
e-mail: sales.nlx@saint-gobain.com

7.5 Spare parts

In order to consult the spare parts lists, we invite you to visit the after-sales website of Norton Clipper by using the following address:

<https://spareparts.nortonabrasives.com>

For a quick access, you can also use the QR Code shown below using your mobile phone:



This electronic catalogue provides exploded views and spare parts lists for different machines designed by Norton Clipper so you can find references you need.

Guarantee can be claimed and technical support obtained from your local distributor where machines, spare parts and consumables can be ordered as well:

SAINT-GOBAIN ABRASIVES
INDUSTRIEWEG 21
9420 ERPE-MERE
BELGIUM
TEL: +32(0) 2 267 21 00

SAINT-GOBAIN CONSTRUCTION
PRODUCTS CZ A.S
DIVIZE ABRASIVES
SMRČKOVA 2485/4
180 00 PRAHA 8
CZECH REPUBLIC
TEL: +420 255 719 326
FAX: +420 255 719 321

SAINT-GOBAIN ABRASIVES A/S
DYBENDALSVÆNGET 2,
DK-2630 TAASTRUP
DENMARK
TEL: +45 4675 5244

PO BOX 643706
FORTUNE TOWER OFFICE 2106
JLT BLOCK C
(NEXT TO METRO STATION)
JUMEIRA LAKE TOWER, DUBAI
UNITED ARAB EMIRATES
TEL: +971 4 431 5154
FAX: +971 4 431 5434

SAINT-GOBAIN ABRASIFS
RUE DE L'AMBASSADEUR - B.P.8
78 702 CONFLANS CEDEX
FRANCE
TEL: +33 (0)1 34 90 40 00
FAX: +33 (0)1 39 19 89 56

SAINT-GOBAIN ABRASIVES GMBH
BIRKENSTRASSE 45-49
D-50389 WESSELING
GERMANY
TEL: +49 (0) 2236 703-0
FAX: +49 (0) 2236 703-730

SAINT-GOBAIN ABRASIVES KFT.
1225 BUDAPEST
BÁNYALÉG U. 60/B.
HUNGARY
TEL: +36 1 371 22 50
FAX: +36 1 371 22 55

SAINT-GOBAIN ABRASIVI S.P.A
VIA PER CESANO BOSCONI 4
I-20094 CORSICO MILANO
ITALY
TEL: +39 02 44 851
FAX: +39 02 44 78 266

SAINT-GOBAIN ABRASIVES S.A.
190 RUE J.F. KENNEDY
L-4930 BASCHARAGE
GRAND DUCHE DE LUXEMBOURG
TEL: +352 50 401 1
FAX: +331 83 717 792
NO. VERT (FRANCE): 0800 906 903

SAINT-GOBAIN ABRASIFS, S.A.
2 ALLÉE DES FIGUIERS
AIN SEBAA - CASABLANCA
MOROCCO
TEL: +212 5 22 66 57 31
FAX: +212 5 22 35 09 65

SAINT-GOBAIN ABRASIVES BV
GROENLOSEWEG 28
7151 HW EIBERGEN
P.O. BOX 10
7150 AA EIBERGEN
THE NETHERLANDS
TEL: +31 545 466466
FAX: +31 545 474605

SAINT-GOBAIN ABRASIVES AS
KARIHAUGVEIEN, 89
0186 OSLO
NORWAY
TEL: +47 63 87 06 00
FAX: +47 63 87 06 01

SAINT-GOBAIN HPM POLSKA SP. Z O.O.
UL. NORTON 1, 62-600 KOŁO
62-600 KOŁO
POLAND
TEL: +48 63 26 17 100
FAX: +48 63 27 20 401

SAINT-GOBAIN ABRASIVOS, L. DA
ZONA INDUSTRIAL DA MAIA
I-SECTOR VIII, NO. 122
APARTADO 6050
4476 - 908 MAIA
PORTUGAL
TEL: +351 229 437 940
FAX: +351 229 437 949

SAINT-GOBAIN GLASS
BUSINESS UNIT ABRASIVI
PUNCT DE LUCRU : LOC.VETIS, JUD.
SATU MARE 447355
STR. CAREIULUI 11
PARC INDUSTRIAL RENOVATIO
ROMANIA
TEL: +40 261 839 709
FAX: +40 261 839 710

SG HPM RUS
58, F. ENGELS STR.
STROENIE 2
105082 MOSCOW
RUSSIA
TEL: +74 955 408 355
FAX: +74 959 373 224

SAINT-GOBAIN
ABRASIVES (PTY) LTD
2 MONTEER ROAD
ISANDO 1600
P.O. BOX 67
SOUTH AFRICA
TEL: +27 11 961 2000
FAX: +27 11 961 2184/5

SAINT-GOBAIN ABRASIVOS, S.A.
CTRA. DE GUIPÚZCOA, KM. 7,5
E-31195 BERRIOPLANO (NAVARRA)
SPAIN
TEL: +34 948 306 000
FAX: +34 948 306 042

SAINT GOBAIN ABRASIVES AB
GÅRDSFOGDEVÄGEN 18A
168 66 BROMMA • SVERIGE
SWEDEN
TEL: +46 8 580 881 00
FAX: +46 8 580 881 30

SAINT-GOBAIN INOVATIF MALZEMELER
VE ASINDIRICI SAN. TIC. AS.
ALTAYÇEŞME MAH. ÇAMLI SOK. NO:21
ESAS OFISPARK KAT:9 34843
MALTEPE, İSTANBUL • TURKEY
TEL: 0090-216-217 12 50
FAX: 0090-216-442 40 74

SAINT-GOBAIN ABRASIVES LTD.
UNICORN HOUSE UNIT 1, AMISON CLOSE
REDHILL BUSINESS PARK
STAFFORD ST161WB
UNITED KINGDOM
TEL: +44 1785 279 553
FAX: +44 1785 213 487



Saint-Gobain Abrasifs
190 Rue J.F. Kennedy
L-4930 Bascharage
Grand Duche de Luxembourg
Tel: +352 50 401 1
Fax: +331 83 717 792
no. vert (France) 0800 906 903

www.nortonabrasives.com/fr-fr