

C99 E

SPARE PARTS LIST



NORTON
SAINT-GOBAIN®

clipper®

1. SPARE PART LIST

POS	PAGE	CODE	DESCRIPTION	TYPE (*)
1	EC01	00310006549	Basic Frame	S
2	EC01	00310006550	Rear axle kit	S
3	EC01	00310005495	Rear Wheel	W
4	EC01	00310006551	Rear axle	S
5	EC01	00310006552	Front wheel complete	W
6	EC01	00310005502	Bushing Iglidur	W
7	EC01	00310005129	Bushing Iglidur	W
8	EC01	00310006553	Screw Feed Spindle	W
9	EC01	00310006554	Raise-lower screw	W
10	EC01	00310004907	Bearing + Screw	W
11	EC01	00310006555	Stop ring A20	S
12	EC01	00310006556	Depth indicator cpl.	S
13	EC01	00310004840	Handwheel + nut	S
14	EC01	00310004476	Handle	S
15	EC01	00310002163	Handwheel + Handle	S
16	EC01	00310004190	Handle Grip 1/2"	S
17	EC01	00310006557	Manoeuvring bar cpl.	S
18	EC01	00310004177	Wrench 36mm	S
19	EC01	00310004306	Wrench 30mm	S
20	EC01	00310004229	Wrench 17mm	S
26	EC02	00310006561	Blade shaft assy.	S
27	EC02	00310004269	Nut 7/8" L.blade shaft	S
28	EC02	00310006562	Loose collar 108	W
29	EC02	00310006563	Bushing 2 blades	S
30	EC02	00310005219	Inside collar 108	W
31	EC02	00310004295	Bearing for blade shaft	W
32	EC02	00310004506	Key for inside collar	S
33	EC02	00310006564	Blade shaft	S
34	EC02	00310004835	Blade shaft pulley	S
35	EC02	00310005200	Guide-a-cut compl.	W
36	EC02	00310046746	Blade guard 450 assy	S
37	EC02	00310004181	Blade guard nut M16	S
38	EC02	00310004255	Blade guard axle	S
39	EC02	00310004233	Waterdistributor-Y	W
40	EC02	00310004426	Water supply tape 1/2"	W
41	EC02	00310004081	Hose coupling 1/2"	W
42	EC02	00310006566	Blade splash guard	W
43	EC02	00310006567	Motor frame	S
44	EC02	00310006568	Axle motor frame cpl	S
45	EC02	00310006569	Axle motor frame	S

46	EC02	00310006570	Brake complete	S
47	EC02	00310004162	E-Mot. 5.5KW 400/700	S
48	EC02	00310006571	Motor pulley	S
49	EC02	00310004837	V-Belt XPZ 800 LW	W
50	EC02	00310006574	Belt guard compl.	S
51	EC02	00310006581	Screw for motor	S
52	EC02	00310006582	Plug complete	W
53	EC02	00310004160	Connecting female	W
54	EC02	00310004028	Emergency stop	W
55	EC02	00310006583	Support Emergency stop	S
56	EC02	00310005308	Switch	W
57	EC02	00310006584	Switch bracket	S
59	EC02	00310002346	Water hose (set of 2)	W
60	EC02	00310006886	Nipple	W
61	EC01	00310004966	Handwheel nut	W
62	EC02	00310007048	Dover pin	W

(*): S = Spare part, W = Wear part, H = Hardware, NA = Not Available

NA = Not Available / this component is not available as wear part.

H : Not supplied alone / this component is a component standard which you can easily find at all the standard retailers of parts. All the standard components of assembly have a quality grade 8.8. We recommend to don't use a quality grade lower than 8.8.

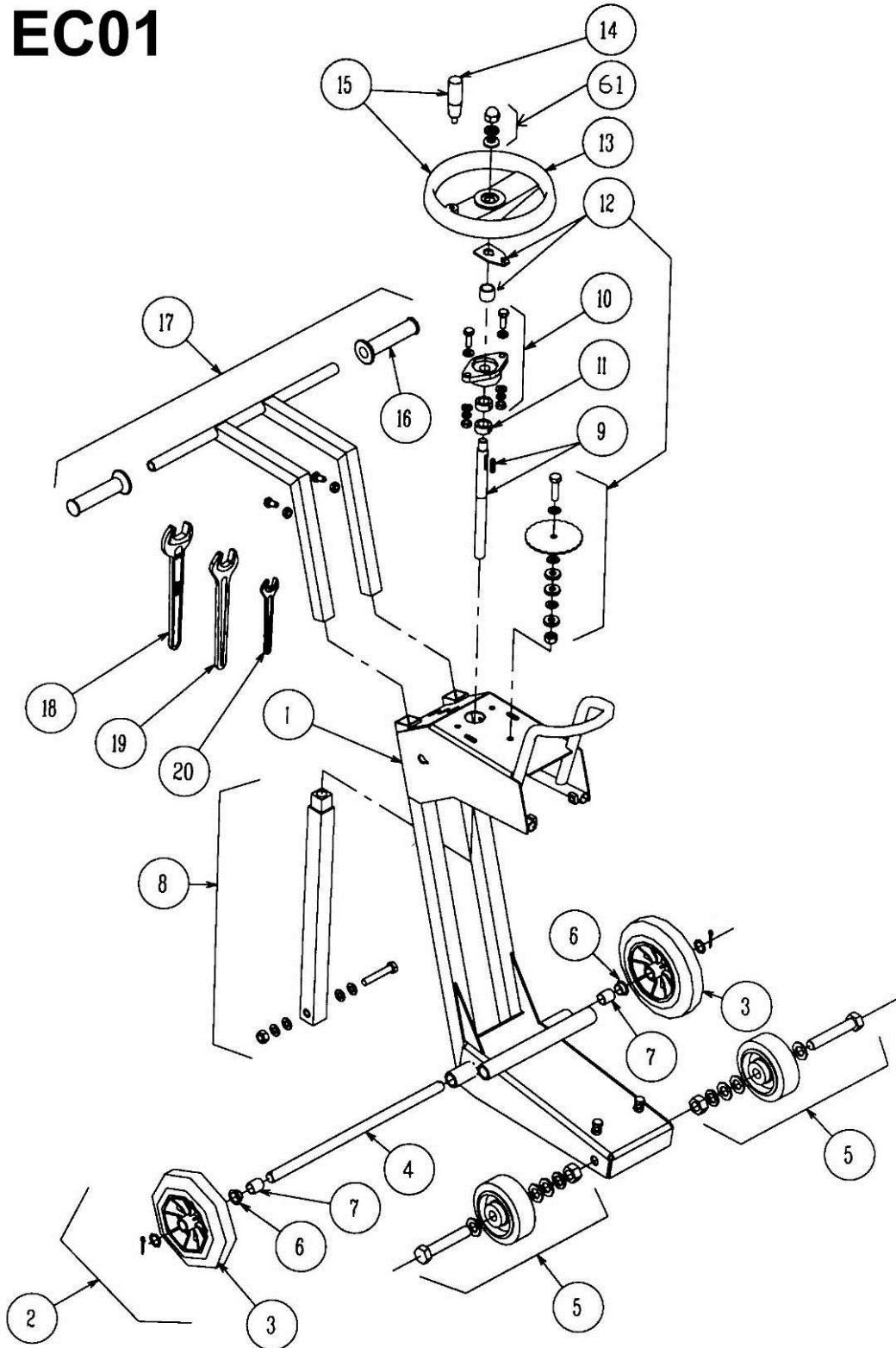
W : Wear parts are worn out through normal use of the machine. The use period depends a lot on the intensity of work of the machine.

Wear parts must be serviced, used and eventually changed following the indications of the manufacturer. Any wear due to normal use of the machine will not be considered as a case of warranty.

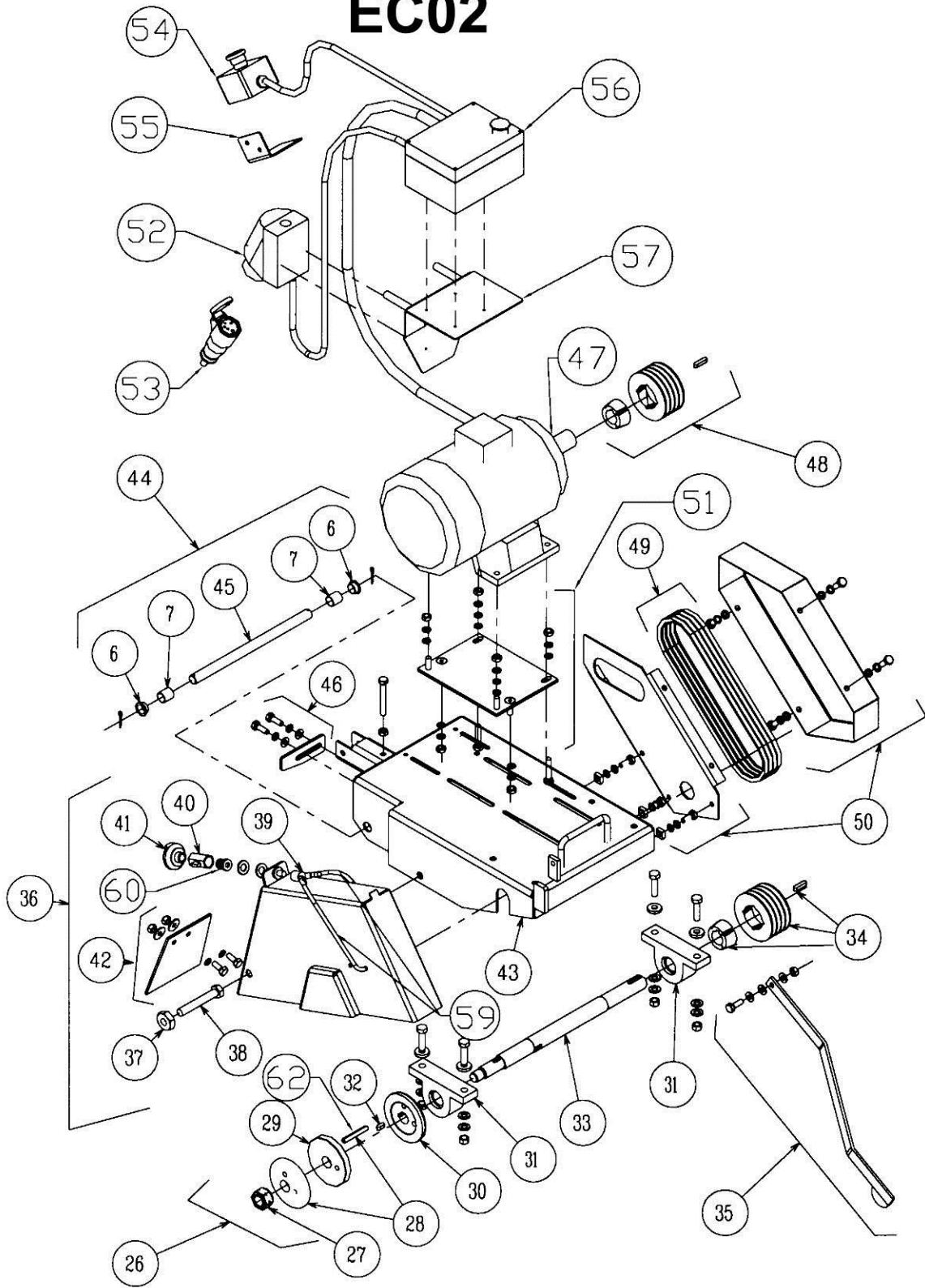
S : Genuine CLIPPER replacement parts should always be used.

2. EXPLODED VIEW

EC01



EC02



www.construction.norton.eu

Saint-Gobain Abrasives

190, Bd. J. F. Kennedy
L-4930 BASCHARAGE
LUXEMBOURG

Tel: ++352 50401-1

Fax: ++352 501633

e-mail: sales.nlx@saint-gobain.com