

# CDR 352

SPARE PARTS LIST



**NORTON**  
SAINT-GOBAIN®

**clipper®**

# 1 Spare parts list

POS	REF	DESCRIPTION	QTY	TYP (*)
1	310389148	Baseplate CDR 352/402	1	S
2	310461890	Column kit CDR 352/402	1	S
		SCREW DIN 912 - M12X70	1	H
3	310461480	Leveling screw kit	3	S
		NUT DIN 934 - M12	1	H
		WASHER DIN 125 - A13	1	H
4	310388801	Turnstile	1	S
5	310461481	Handle kit	1	S
		SCREW DIN 912 - M8X30	2	H
6	310360886	Clamping screw	1	S
7	310461482	Steelinsert kit	1	S
		SCREW DIN 912 - M6X20	2	H
8	310461891	Motorplate CDR 352 (incl. 6, 7)	1	S
		SCREW DIN 912 - M6X20	2	H
		SCREW DIN 912 - M8X55	4	H
9	310389154	Pinion Drive Shaft	1	S
10	310461484	Pinion guiding kit	2	S
11	310461892	Feed motion kit CDR 352 (incl. 9, 10)	1	S
		SCREW DIN 912 - M8X10	1	H
12	310461719	Castor	4	S
13	310461528	Castor kit	1	S
		SCREW DIN 6914 - M12X45X23	2	H
		WASHER DIN 125 - A13	4	H
		NUT DIN 934 - M12	2	H
14	310461720	Brake kit	1	S
		SCREW DIN 912 - M6X35	2	H
15	310461893	Column blocking kit CDR 352/402	1	S
		WASHER DIN 125 - A13	2	H
		SCREW DIN 912 - M12X90	2	H
16	310461894	BKZ kit CDR 352/402	1	S
		SCREW DIN 912 - M8X30	2	H
17	310461724	Laser kit	1	S
		SCREW DIN 965 - M5X16	2	H
18	310461725	Support bar holder kit	1	S
		SCREW DIN 912 - M8X30	1	H
		WASHER DIN 125 - A8,4	1	H
19	310461871	Support bar kit CDR 352	1	S
		SCREW DIN 912 - M8X30	4	H
20	310006916	Core clumper	1	S
21	310387432	Transport wheels	1	S
		SCREW DIN 912 - M8X20	2	H

(\*): S = Spare part, W = Wear part, H = Hardware, NA = Not Available

NA = Not Available / this component is not available as wear part.

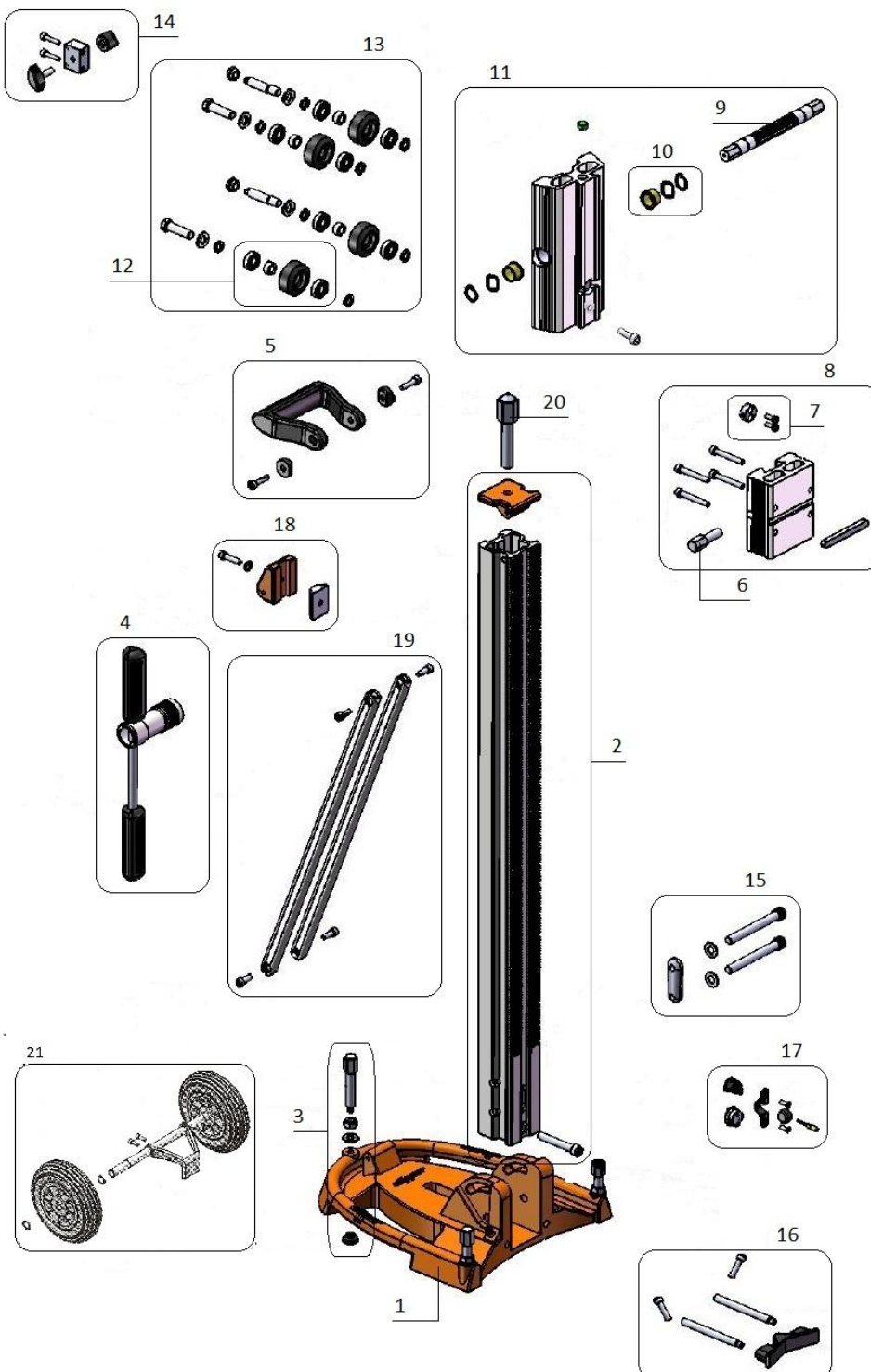
H : Not supplied alone / this component is a component standard which you can easily find at all the standard retailers of parts. All the standard components of assembly have a quality grade 8.8. We recommend to don't use a quality grade lower than 8.8.

W : Wear parts are worn out through normal use of the machine. The use period depends a lot on the intensity of work of the machine.

Wear parts must be serviced, used and eventually changed following the indications of the manufacturer. Any wear due to normal use of the machine will not be considered as a case of warranty.

S : Genuine CLIPPER replacement parts should always be used.

## 2 Exploded parts drawings



[www.construction.norton.eu](http://www.construction.norton.eu)

**Saint-Gobain Abrasives**

190, Bd. J. F. Kennedy  
L-4930 BASCHARAGE  
LUXEMBOURG

Tel: ++352 50401-1

Fax: ++352 501633

e-mail: sales.nlx@saint-gobain.com